



CisoLube
LUBRICATION SYSTEM

SOLVE YOUR NEEDS WITH SERVICES

LubeStar Hydraulic Pump



2025 V1.0

LUBESTAR
Hydraulic PUMP

www.cisolube.com
Yantai CISO Lubrication Technology Co.,Ltd
Tel:+86 400-800-9400

LubeStar High Performance Hydraulic Pump

The high-performance LubeStar hydraulic pump combines a rotary drive pump motor and reciprocating pump lines with flexible control functions to operate in hot deserts and cold Arctic temperatures. The integrated control unit regulates the lubricant quantity and operating pressure. The pump output can be adjusted from 115 to 737 cm³/min.

Features

- Extends pump life and simplifies pump installation, operation and service
- Pump and tank combination models with automatic level sensor and direct shut-off system
- The preferred pump for single-line parallel lubrication systems
- Flexible range with options for pump only or pump and tank with follow-up high and low level detection
- Suitable for hot deserts and cold climates

Applications

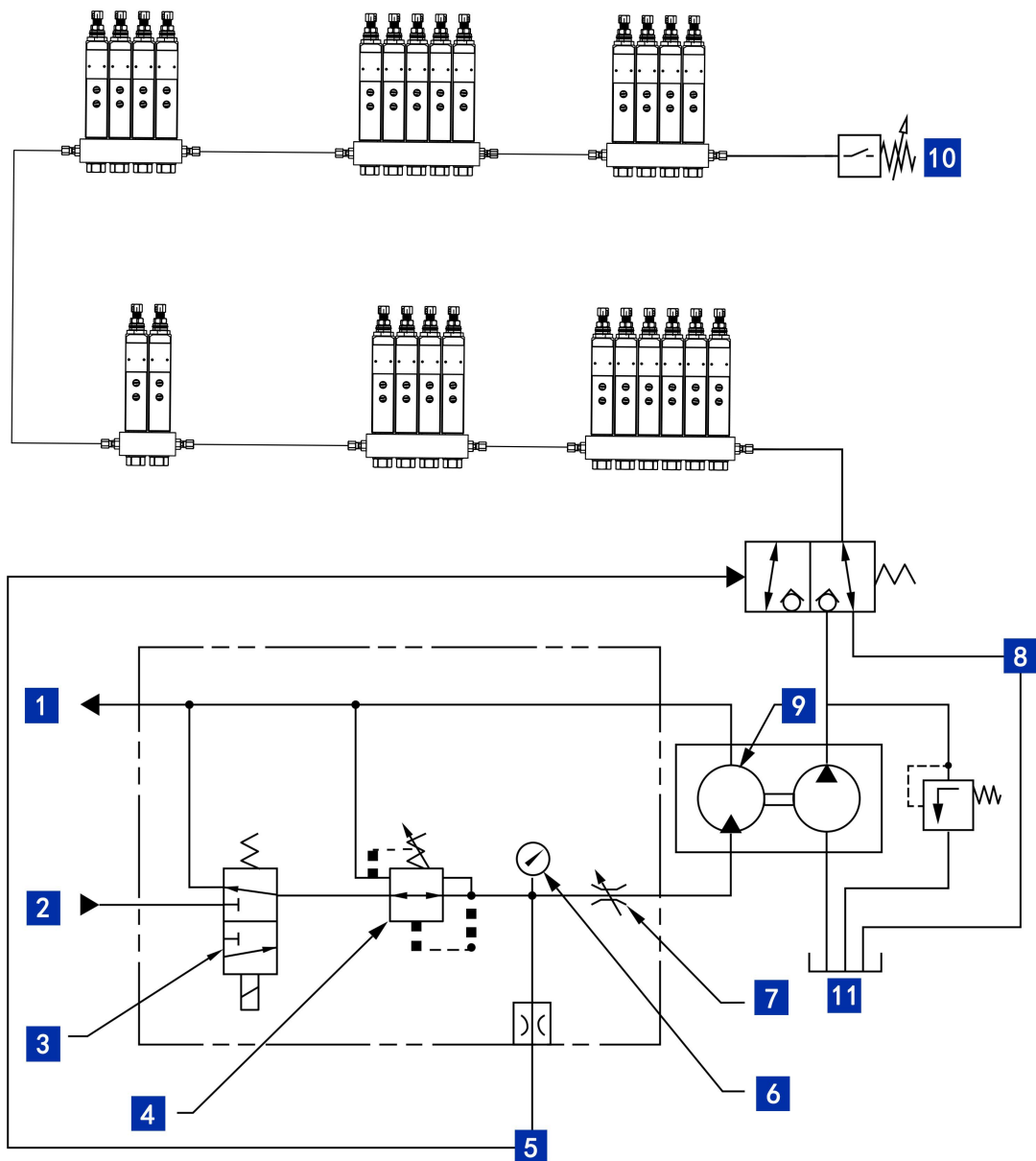
- Construction machinery
- Mining machinery and mining vehicles
- Metallurgy
- Steel mills
- Paper mills
- Food and beverages

.....



| Technical Data | |
|--------------------------|---|
| Functional principle | Hydraulic piston pump |
| No. of output Port | 1 |
| Adjustable flowrate | Max. 737 cm ³ /min Min. 115 in ³ /min |
| Supply inlet pressure | Max. 200Bar |
| Operating inlet pressure | 20~32 Bar |
| Operating temperature | -29°C ~ 65°C |
| Solenoid valve coil | 24VDC |
| Tank capacity | 27、41、55 kg |
| Output Port | 1/4NPTF |
| Installation Method | vertical |
| Material | Fluororubber, polyurethane, steel, aluminum_x0002_zinc castings |

Hydraulic schematic diagram



1 Hydraulic return line

7 Flow control valve

2 Hydraulic inlet

8 Hydraulic inlet

3 Solenoid valve

9 Hydraulic motor

4 Relief valve

10 Terminal pressure switch

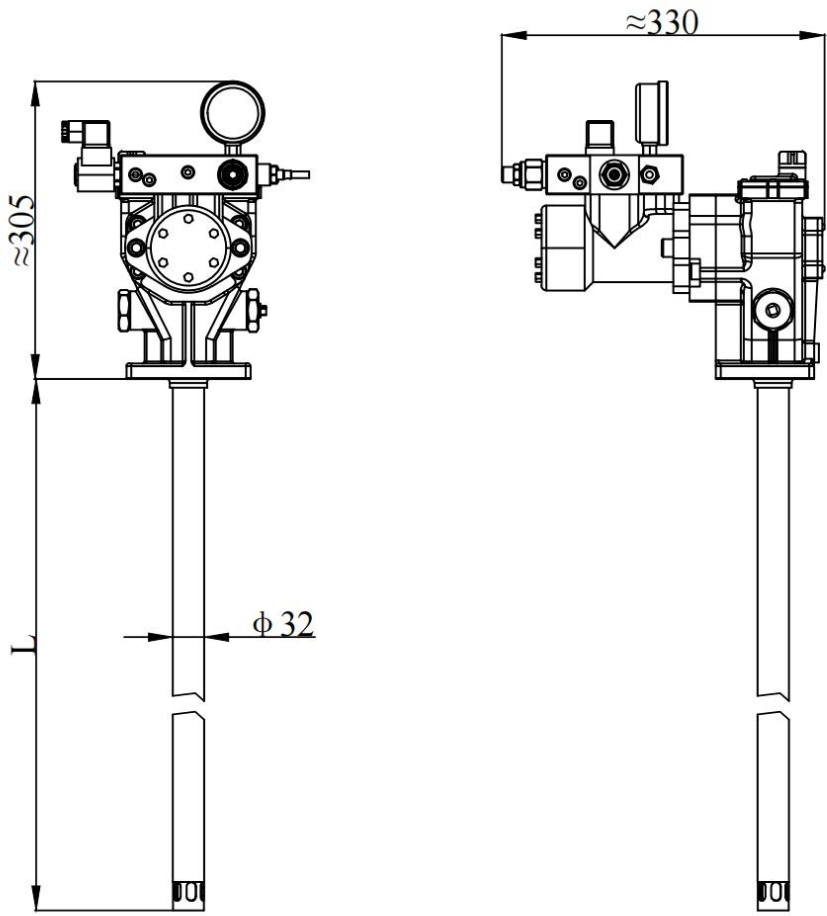
5 Safety valve

11 Tank

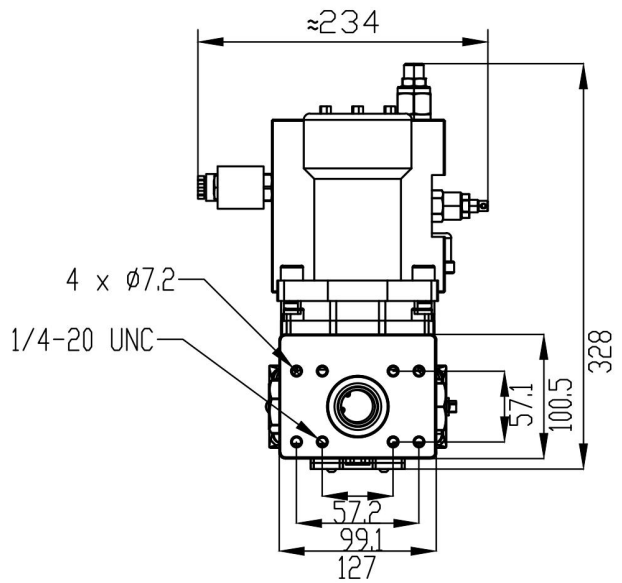
6 Pressure gauge

Dimension (mm)

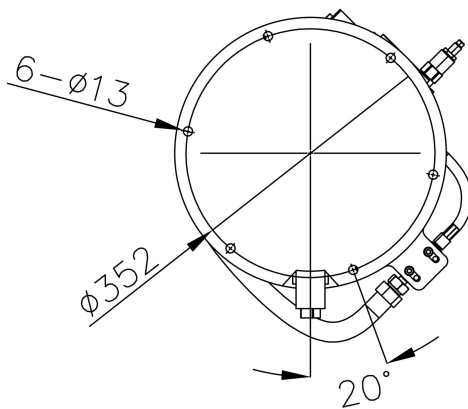
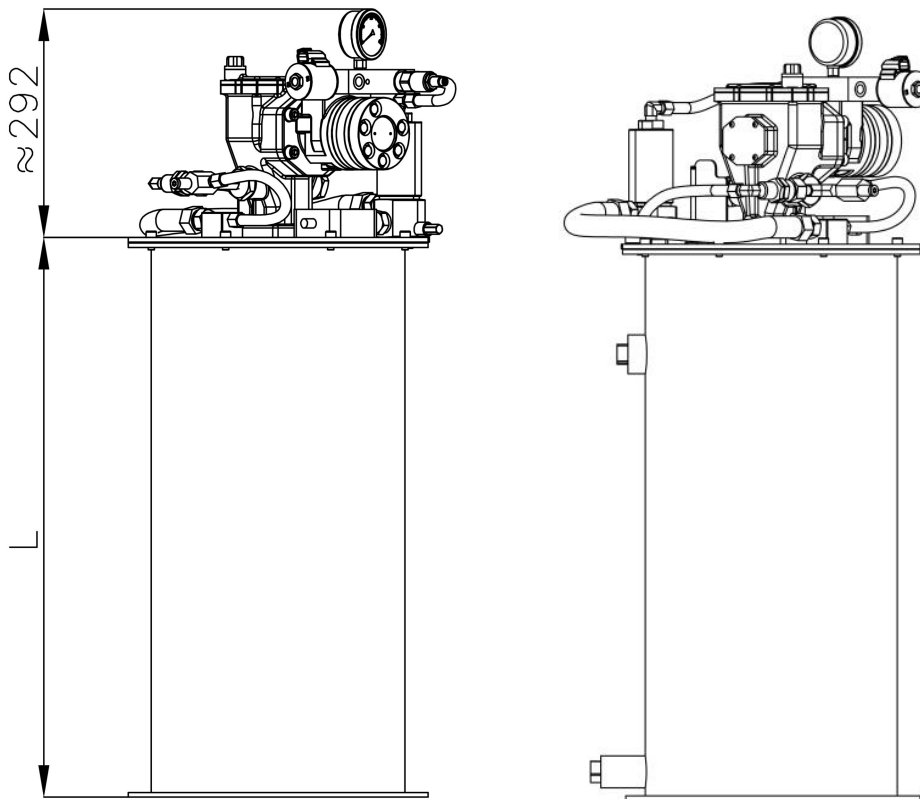
Bare pump, without tank dimension



| Reservoir | L |
|-----------|-----|
| 16KG | 348 |
| 27KG | 483 |
| 41KG | 699 |
| 180KG | 864 |

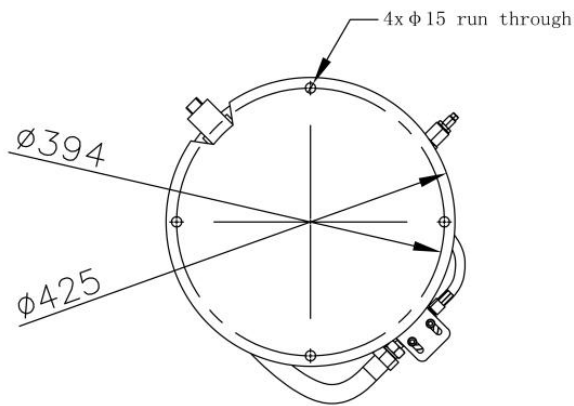
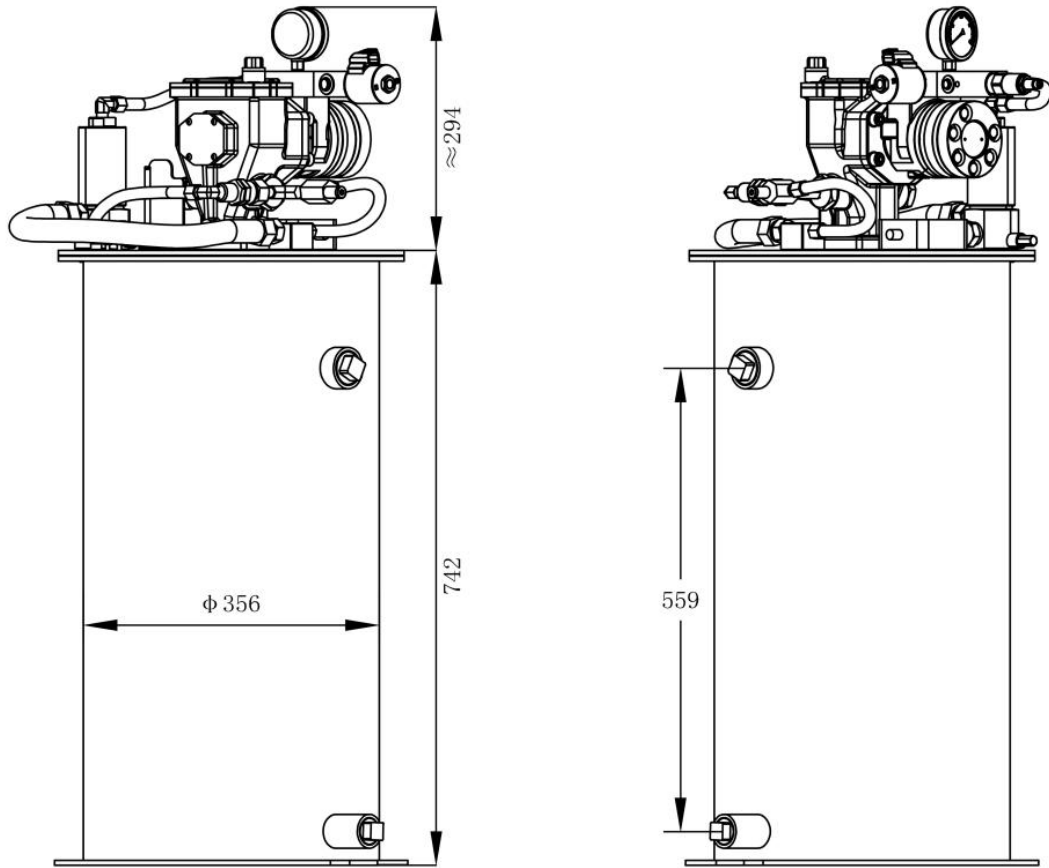


Dimension with tank

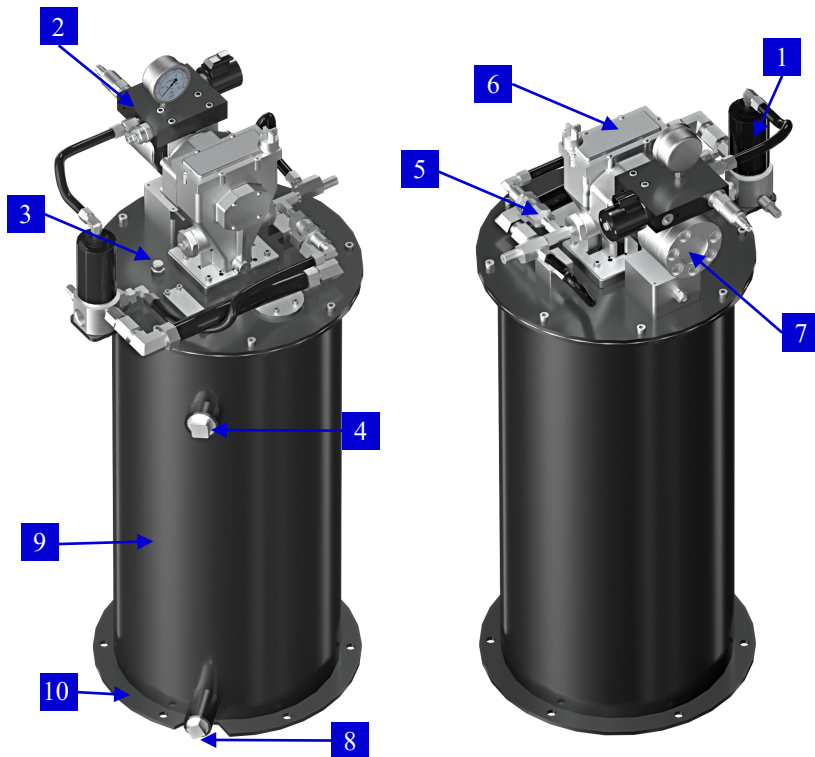


| Reservoir | L |
|-----------|-----|
| 27KG | 508 |
| 41KG | 724 |

55KG



Product components



| | |
|----|-------------------------------|
| 1 | Relief valve |
| 2 | Hydraulic control valve block |
| 3 | Vent cap |
| 4 | Overflow port |
| 5 | Non-return valve |
| 6 | Pump body |
| 7 | Hydraulic motor |
| 8 | Grease filling port |
| 9 | Pump tank |
| 10 | Fixing plate |

Ordering information:

| Model | Description | Reservoir |
|--------|---|-----------|
| HLS722 | pump and reservoir, with follower plate and low level | 27KG |
| HLS723 | pump and reservoir | 27KG |
| HLS725 | pump and reservoir, with follower plate and low level | 41KG |
| HLS726 | pump and reservoir | 41KG |
| HLS727 | pump and reservoir, with follower plate and low level | 55KG |
| HLS731 | pump | 16KG |
| HLS732 | pump | 27KG |
| HLS733 | pump | 41/55KG |
| HLS734 | pump | 180KG |

Tank



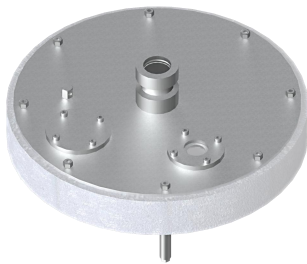
| Part № | KG | Description |
|--------|----|-------------|
| LS0027 | 27 | Tank kits |
| LS0041 | 41 | Tank kits |
| LS0055 | 55 | Tank kits |

Drum cover is supplied with bolts, vent cap, gasket and eyebolts.

Tank assembly ordering code includes complete drum cover.

Level sensor and follower plate must be ordered separately.

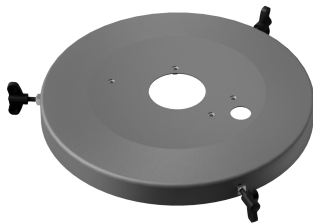
Follower plate



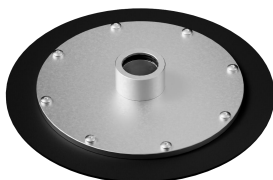
| Part № | KG |
|--------|-------|
| LS1041 | 27/41 |
| LS1055 | 55 |

Cover, Follower plate assembly

16KG Cover assembly



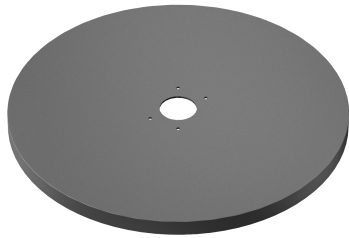
16KG Follower plate assembly



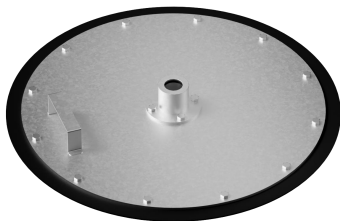
| Part № | KG | Description |
|--------|----|-------------------------|
| LS0016 | 16 | Cover assembly |
| LS1004 | 16 | Follower plate assembly |

Cover, Follower plate assembly

180KG Cover assembly

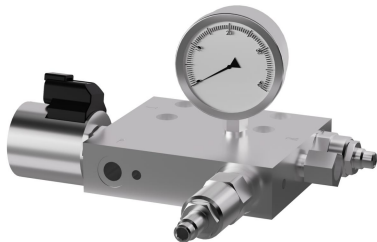


180KG Follower plate assembly



| Part № | KG | Description |
|--------|-----|-------------------------|
| LS0180 | 180 | Cover assembly |
| LS1008 | 180 | Follower plate assembly |

Hydraulic control valve block

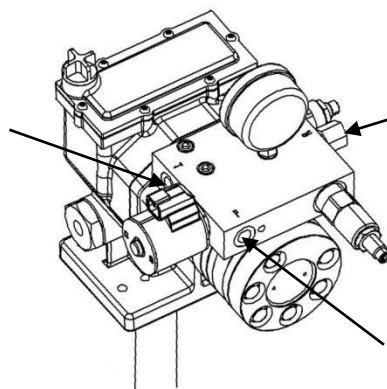


Part №

LS1007

The control pipeline and motor are integrated.
 The oil inlet pressure shall not exceed 32 bar.
 The control device is equipped with a solenoid valve, a pressure control valve, a flow regulating valve and a pressure gauge.

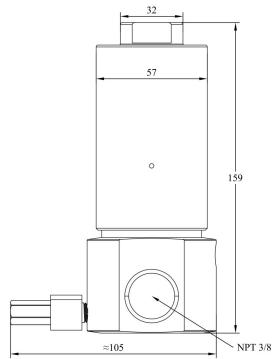
T-port for return line
 Connection thread G1/4
 Inside diameter of the pipe at
 least 19 mm



R-port for Relief valve
 Connector thread NPT1/4

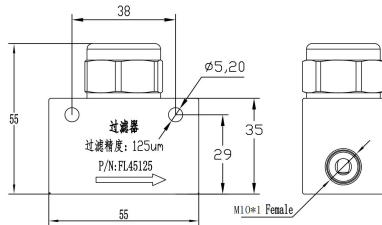
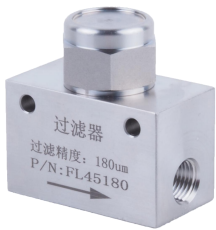
P-port connects to the inlet tube,
 Connector thread G1/4,
 inlet pressure not exceeding 20Mpa,
 inner diameter of the pipeline at least
 9mm.

Relief valve



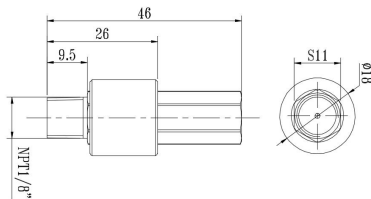
| Part No | Thread |
|---------|--------|
| LS1006 | NPT3/4 |

Filter



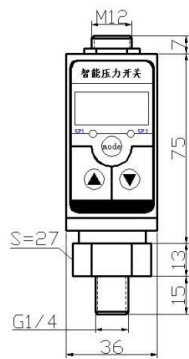
| Part No | Accuracy | Thread |
|---------|----------|--------|
| FL45180 | 180µm | M10*1 |
| FL45125 | 125µm | M10*1 |

Safety valve



| Part No | Description | Thread |
|---------|----------------|--------|
| 5FI07 | 275bar/4000psi | NPT1/8 |

Pressure switch



| Part No | Thread |
|---------|--------|
| EPW-S | G1/4 |

Controller

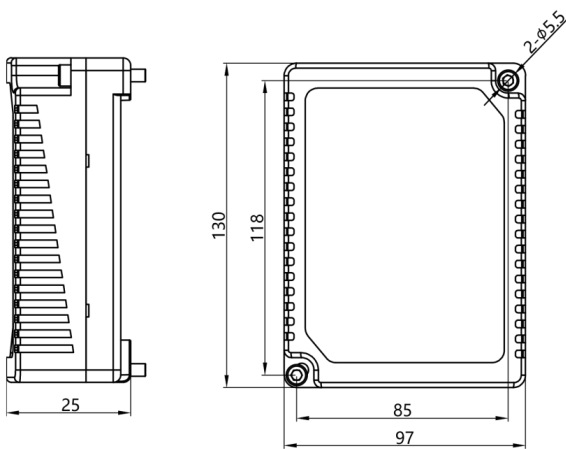
Part №

MC-II-A

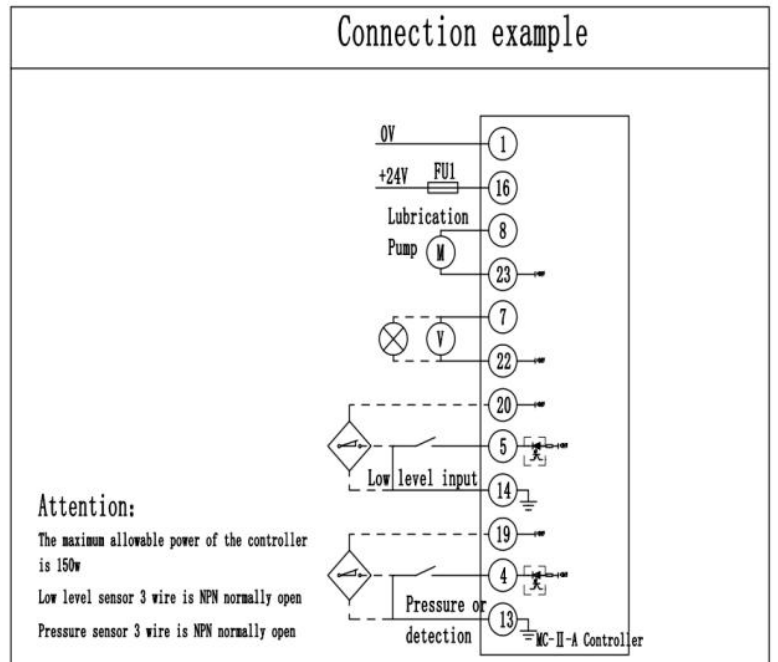


wiring

| Controller Plug | | Pin Function Description |
|-----------------|------|---|
| 16 | +24V | Power Supply + |
| 1 | 0V | Power Supply - |
| 23 | | Motor + |
| 8 | | Motor - |
| 22 | | Electromagnetic valve + / lubrication indicator + |
| 7 | | Electromagnetic Valve - / lubrication Indicator - |
| 20 | | Low-level power + |
| 5 | | Low-level signal |
| 14 | | Low-level power - |
| 19 | | Sensor power + |
| 4 | | Sensor signal |
| 13 | | Sensor power - |



Connection example



CISO

LUBRICATION SYSTEM

Yantai CISO Lubrication Technology Co.,Ltd

No. 41, Bosina Road, High-tech Zone, Yantai City, Shandong Province, CHINA

Tel:+86 400-800-9400



MADE IN CHINA



www.cisolube.com