

递进式润滑系统 选型手册 PROGRESSIVE LUBRICATION SYSTEM



公司简介

Company

Introduction

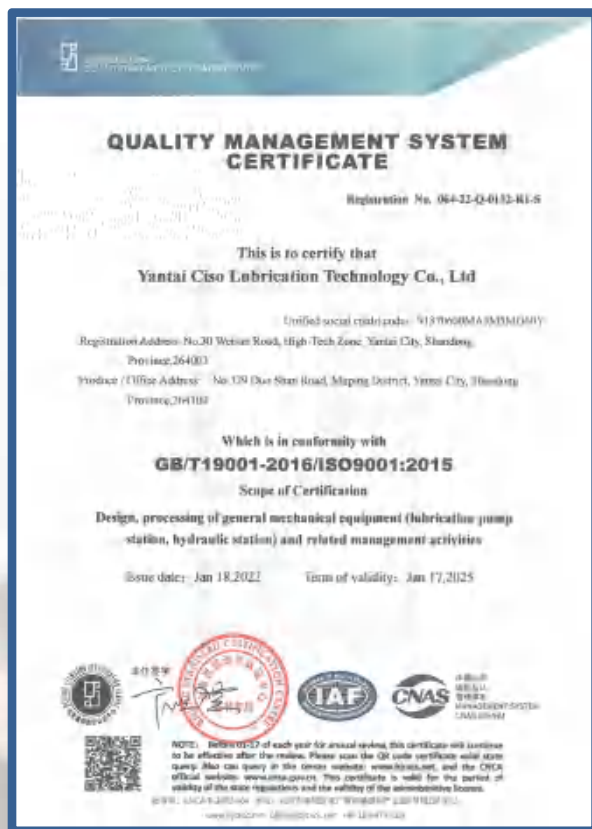
西索润滑技术有限公司，是一家专业研发、生产与销售集中润滑系统和液压设备的高新技术企业，公司生产的集中润滑系统具有稳定性高、可靠性强、密封性好、输出压力高等特点，现销售的产品和服务已覆盖石油化工、风力发电、农业机械、工程机械、轨道交通、医药等行业，是行业内领先的方案解决供应商。

公司秉承“诚信为本，质量第一，用户至上，不断创新”的理念，为客户提供A+的理想解决方案，来满足客户的不同需求，通过多年的研发及生产实践，从产品设计、配件选择、产品组装、成品测试及销售服务方面，保证产品品质。

Yantai CISO Lubrication Technology Co., Ltd. is a high-tech enterprise specializing in R&D, production and sales of centralized lubrication systems and hydraulic equipment. The centralized lubrication systems produced by our company have the characteristics of high stability, strong reliability, good sealing, and high output pressure. The products and services currently have covered petrochemical, wind power generation, construction machinery, agricultural machinery, rail transit, medicine and other industries, and it is a leading solution provider in the industry.

The company adheres to the concept of "integrity-based, quality first, and continuous innovation" to provide customers with A+ ideal solutions to meet the different needs of customers. Through years of research and development and production practice, from product design to accessories selection, product assembly, finished product testing and sales services, to ensure product quality.

公司证书



CISOLUBE CATALOG

2024

www.cisolube.com

目录

CONTENTS⁺

递进式润滑系统概述.....	1
Progressive lubrication system description	
GT 润滑泵	6
GT pump	
GM 润滑泵	16
GM pump	
DSP分配阀	21
DSP distributor	
DSS分配阀	28
DSS distributor	
VB分配阀	34
VB distributor	
DXF分配阀.....	38
DXF distributor	
VSP分配阀.....	44
VSP distributor	
VSD分油块.....	48
VSD distributor block	
润滑系统配件.....	49
lubrication parts	

递进式润滑系统 Progressive lubrication system

适用于润滑剂为稀油、流动脂、脂的高压大型系统
For oil, fluid grease and grease lubrication system

特点

- 结构紧凑、拓展容易
- 可加载检测功能
- 管路通畅无残留
- 宽剂量范围
- 分配器内部集成单向阀

Characteristic

- Compact, flexible kit
- Monitored function
- Channels flow through completely
- Wide range of use
- Integrated return valve inside

系统组成

- 手动泵、气动泵、电动泵
- 主管路
- 递进式分配阀
- 分管路
- 螺纹接头
- 控制和监测装置

The system components

- Manual, pneumatic and electrical pumps
- Main lines
- Progressive distributor
- Line to the lubrication point
- Screwed fittings
- Control and monitoring devices

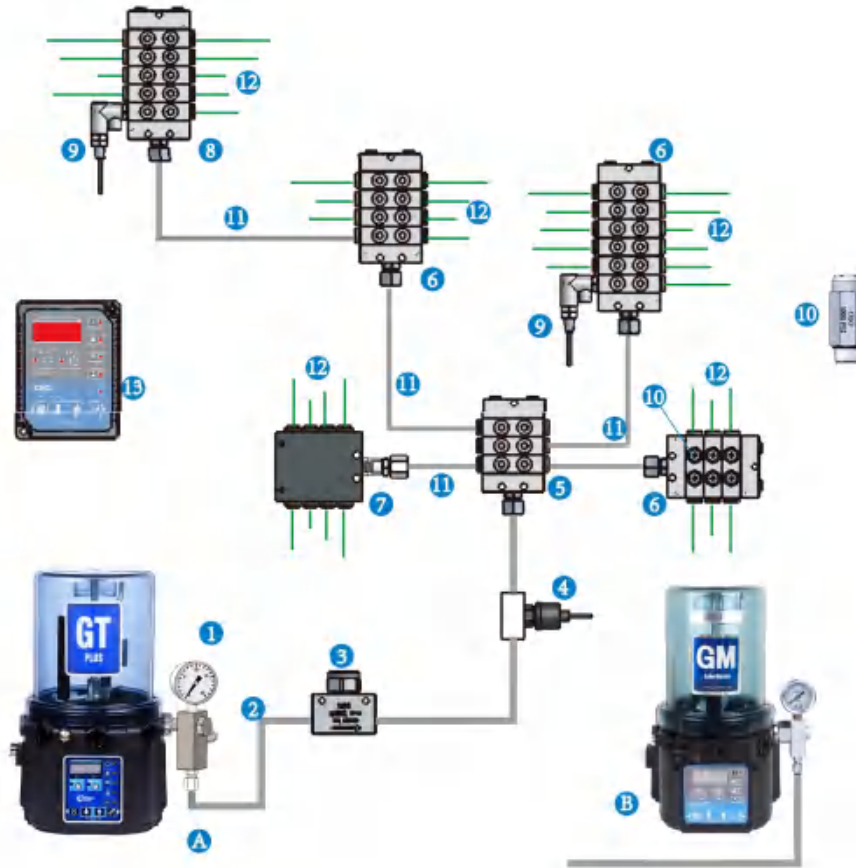
功能原理

泵使润滑剂从主管路，流向各级递进式分配器，“递进式”的输送到各个润滑点。
递进式分配器的工作循环由目视或者电子控制系统来监控

The function

The lubricant is pumped through the main lines to the progressive distributor with the pump.
The lubricant is delivered "progressively" to the friction point.
The circulation of a progressive distributor is monitored optically or electrically.

结构示意图 Structure diagram:



- A - GT 润滑泵
- B - GM 润滑泵
- 1 - 出口安全阀组件
- 2 - 主管路
- 3 - 过滤器
- 4 - 控制元件 (压力开关)
- 5 - 片式递进式分配器 (1级)
- 6 - 片式递进式分配器 (2级)
- 7 - 块式递进式分配器 (2级)
- 8 - 片式递进式分配器 (3级)
- 9 - 电子监控
- 10 - 故障监控
- 11 - 管路
- 12 - 至润滑点的支路
- 13 - 控制装置

- A - GT Lubrication pump
- B - GM Lubrication pump
- 1 - Outlet relief valve elements
- 2 - Main line
- 3 - Filter
- 4 - pressure switch
- 5 - progressive distributor (1generation)
- 6 - progressive distributor (2generation)
- 7 - progressive distributor (2generation)
- 8 - progressive distributor (3generation)
- 9 - Function control
- 10 - Fault Monitoring
- 11 - Pipes and hoses
- 12 - Line to the lubrication point
- 13 - Controller

递进式润滑系统概述 Progressive lubrication system description

1. 结构和设计原理 Construction and design:

递进式润滑系统由润滑泵和多个递进式分配器组成。分配器配备一个循环监控器。后面连接必要的管路、管衔接件和固定元件。压力监测指示器安装在每个递进式的分配器入口处，对功能控制更加有保障。

The progressive lubrication system comprises a feed pump and progressive distributors, whereby, the distributor is equipped with a circulation control. In addition there are the necessary pipelines, threaded pipe fittings and fastening components. Pressure indicator in the inlet of the respective progressive distributor, are additionally helpful for function control.

系统的设计取决于要连接的润滑点的数量和润滑脂剂量的要求。如果一个分配器不能满足所有的润滑点，那么就设计一个分配器作为主分配器，主分配器连接次级分配器，整个系统最多可以有三级分配器。

The design of the system depends on the number of lubrication points to be connected and the grease dose requirements. If a distributor cannot meet all the lubrication points, then a distributor must be designed to act as a primary distributor, and the primary distributor is connected to the secondary distributor, and the whole system can have up to three levels of distributors.

润滑泵安装在机器上较易触及的地方，这样才可能适时方便地为润滑泵油箱注油。递进式分配器则要尽可能接近润滑点。

The lubrication pump should be assembled on an easily accessible position of the machine, so that uncomplicated refilling of the container is possible. The progressive distributor should be assembled as close to the lubrication points as possible.

管路的设计必须能够承受最大泵压，最好使用钢管。如果有需要移动的润滑点，需使用适合尺寸的高压软管，长度尽可能地短，以保证剂量准确。因为软管高压下会膨胀，增加管路对润滑剂的损耗，致使短暂剂量不能保证。缩短高压软管的使用，还可以避免快速高压对润滑剂产生的负面反应。

The line system must be designed such that it can take maximum pump pressure. Preferably steel pipes are laid. If mobile lubrication points are to be lubricated, high pressure hoses of appropriate dimension must be used. The length of the high pressure hoses should be kept as short as possible, as these expand under pressure and can intake appropriate lubricant quantity. Timely secure feeding of the lubricant is thus no longer guaranteed. Shortening the use of high pressure hoses can also avoid the negative reaction of rapid high pressure to the lubricant.

2. 工作模式 Mode of action:

泵将润滑剂注入主管路、各级分配器、管路，直至润滑点。计量元件控制润滑剂的剂量，系统内集成监控元件。例如，分配器不工作、或由分配器内计量螺栓污浊失灵，可以由循环监控检测出来，系统报错，即循环监控在监控时间内无报告信号。

The lubricant is pumped into the main line by actuating the pump and fed to the connected progressive distributor. The lubricant is distributed over the number of outlets of the distributor and then delivered to the lubrication points or fed to another downstream progressive distributor, divided there and dispensed to the connected lubrication points. Dosing is done as per the selection of the dosing elements with different flow rates. A circulation control detects every circulation of the system. If a progressive distributor cannot deliver its lubricant or if a piston is blocked e.g. due to contamination, the system reports fault i.e. the circulation control has not reported within the monitoring time.

3.启动 Start-up:

启动前，必须用洁净的注油装置或者注油桶泵向泵内注油。确保注油过程中没有气泡。润滑泵配置随动活塞，来保证润滑剂的清洁无气。接下来依次给泵和递进式分配器排气，连续泵出润滑剂直至无气的润滑剂流出，至主分配器所有出口，再至各级分配器。

Before start-up, the pump must be filled with clean grease without any air bubbles. It is important that the pump is filled using a filling or barrel pump. The barrel pumps must be equipped with follow up piston. Clean and air-bubble-free filling can thus be ensured. A cartridge pump with pre-filled cartridges may also be used for small consumption quantities.

Then the pump and subsequently the progressive distributor must be ventilated. Pumping follows till bubble-free lubricant appears first on the pump and then on all the outlets of the main distributor and subsequently on the downstream progressive distributors.

特殊是对于使用润滑脂的大型设备润滑系统，需要从润滑点、递进式分配器至泵分别填充洁净润滑剂，由此测定系统各部分的压力。保证润滑剂及时补充添加，避免系统进气，否则系统需要重新排气。

Particularly for large systems, which are operated with grease, it is essential to start the system step-wise from the lubrication point to the pump i.e. lubrication points, lines and progressive distributor must be pre-filled individually. The pressure requirement of individual segments of the system can thus be checked directly. Pay attention that the lubricant is refilled on time, for preventing air bubbles in the system. Else the complete system must be re-ventilated.

4.安装 Assembly:

递进式分配器的安装表面必须平坦，这样在栓紧时外壳不会变形。有需要的话，可以使用垫圈来校准。

递进式分配器的所有出口口必须保持通畅。确保绝对的洁净，泵、递进式分配器、特别是管路及连接件必须在安装前清洁完毕。

The fastening surface of the progressive distributor must be plane, so that the housing is not braced while screwing. If required, washers may be required for alignment. Outlet bore of the progressive distributor must be closed. Cleanliness must be observed. Pumps, progressive distributor and particularly the pipelines and fittings must be cleaned thoroughly prior to the assembly.

5.润滑剂 Lubricant:

一般来讲，递进式润滑系统选用矿物脂作为润滑剂，粘度高于265 (1/10mm) ，NLGI-000-2.如非必要，尽可能不要使用混合油脂。如必须使用混合油脂，则需保证同属一类矿物皂基。

Generally, grease can be dispensed based on mineral oil that shows a walk penetration more than 265 (1/10 mm), NLGI-Klasse 000 - 2 in the bielomatik progressive lubrication system. Greases must not be mixed. In exceptional case.

6.维修保养及故障检修 Maintenance:

定期检查系统的密封性和油箱储量

若循环监视器响应，原因可能是：

- a) 油箱或各个油桶无油
- b) 泵未排空或者故障
- c) 系统由于高压产生堵塞

递进式润滑系统概述 progressive lubrication system description

- 润滑管路不通
- 润滑点及附近管路不通
- 随意关闭递进式分配器的某些出油口
- 递进式分配器的活塞卡住（变形或污损）
- 递进式分配器中的导管关闭
- 递进式分配器中所有的活塞处于中位

如果系统产生堵塞，故障可能出现在系统的很多地方。堵塞处会过压，栓销会凸出，由此来定位分配器临近的堵塞点。

Impermeability of the system and the container fill level must be checked at regular intervals. A fault occurs if the circulation control has not responded within the monitoring time.

Reasons:

- a) Container or barrel empty.
 - b) Pump not ventilated or defective.
 - c) System blocks at high pump pressure.
- Lubrication line closed
 - Lubrication point or its channel closed
 - Outlet on the progressive distributor closed

unauthorised

- Piston in the progressive distributor fits tightly (bracing, contamination)
- Channel within the progressive distributor closed due to contamination.
- All pistons of a progressive distributor are at centre position.

In case the system is blocked, fault may occur at any location in the system. There is overpressure at the blocked location, which is signalled to the relevant pressure indicator by a protruding pin. Source of fault can thus be localised on a secondary distributor.

GT
PLUS



GT 电动润滑泵

- 可输送稀油和油脂
- 多样的补脂方式
- 强大的集中控制系统
- 多种电压可选

特性

Characteristics

- 可以输送稀油和油脂

Pump oil and grease

- 容积 Reservoirs :

2L

4L

6L

8L

12L

- 电压 Voltages :

12VDC

24VDC

220VAC

- 多样的补脂方式

Multiple grease filling ways

- 强大的集中控制系统

Powerful centralized control system

- CE认证

CE Certification

- 外观专利

Design patent

- IP67

泵体坚固，功能强大

THE SMALL PUMP PACKAGE WITH BIG FEATURES

先进的设计和解决方案

DESIGN AND ADVANCED SOLUTIONS

GT 是一款高压柱塞泵，最多可配五个柱塞副。其设计特别适用于递进或者单线系统，

GT is a piston pump, predisposed to operate with a maximum of five pumping units, its design is particularly suitable for progressive systems or single-line systems.

可同时给五个独立线路润滑

Five independent line lubrication at the same time.

出口可合并增加排量

Output can be combined and increase displacement

特殊的本体材料，达到非常优异的抗震功能

With special materials, to achieve excellent anti-shock ability

特别的泵罐设计，易于观察油位并能有效阻隔紫外线照射，有效防止润滑油变质具备低液位内部报警，带闪烁蜂鸣。也可以选择信号输出

Special design of pump make it easy to observe the oil level and prevent UV radiation, prevent oil deterioration. With low liquid level alarm, flashing buzzer. Also can choose the type of output.

具备两种型号模式 There are two model modes:

标准：由外部PLC管理。不带内置控制单元，因此是润滑系统中更加经济的解决方案。

Standard: can be managed by an external PLC. Since it does not come with an internal control unit, this is the most economic solution for lubricating your systems.

自动：带集成控制系统，可本地设置运行时间。配备本地运行及报警指示灯，报警带蜂鸣，提供低液位及脉冲报警，可与分配元件的监控器组合成一套完美的运行系统。

Automatic: With integrated control system, which can be set up local running time. Equipped with local operation and alarm light, alarm with buzzer, provide low level and pulse alarm, which can be combined with the monitor of distributor units into a perfect operating system.



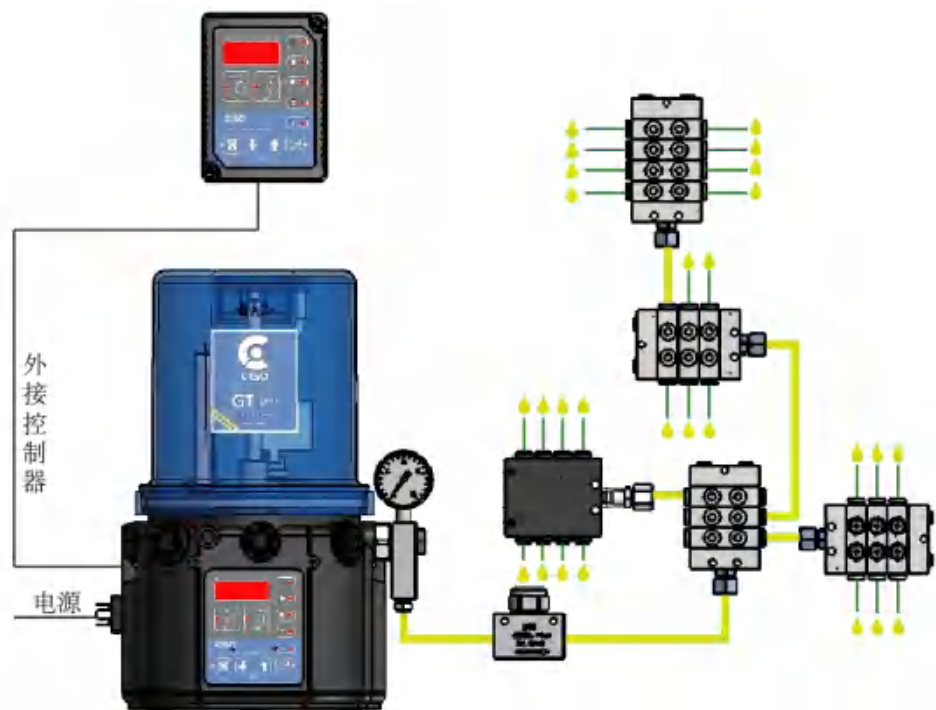
应用 Application

- 工程机械
Construction machinery
- 农业装备
Agricultural equipment
- 风电设备
Wind power equipment
- 压力机
Press machine
- 矿山设备
Mining equipment
- 船舶海洋
Ship and Marine engineering
- 食品饮料
Food and drinking
- 纺织设备
Textile

技术信息 Technical information:

基本技术参数 Technical characteristics	
泵输出单元 Unit of pump outlets	最多5出口 Max. 5 outlets
出口螺纹 Outlet thread	G1/4
每泵单元流量 Flow per pump unit	2ml、3ml、4ml/min
运行压力 Operating pressure	Max. 35MPa
油箱容积 Reservoir capacity	2、4、6、8、12L
润滑剂 Lubricants	OIL、000、00、0、1、2
使用温度 Operating temperatures	-50 - 90°C

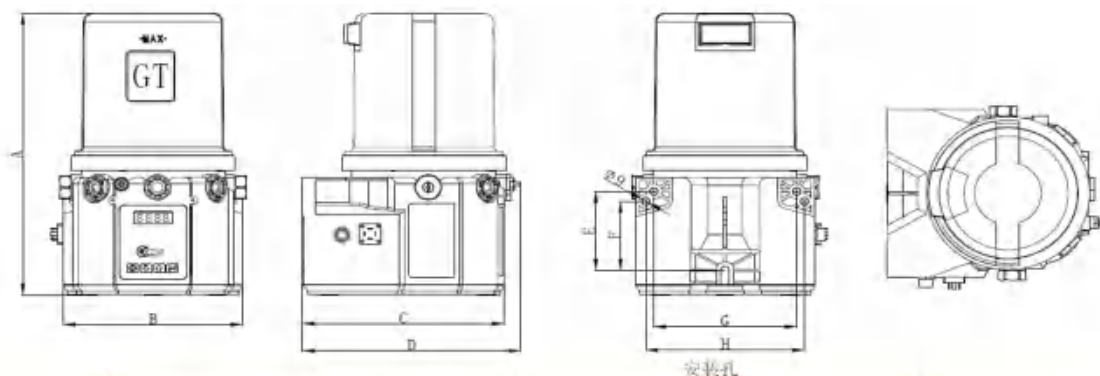
系统案例 System production case:





NO.	部件名称 Part	NO.	部件名称 Part
1	2L泵罐 2L Pump Tank	7	泵底座 Pump base
2	4L泵罐 4L Pump Tank	8	GT 泵柱塞 GT Pumping Element
3	6L泵罐 6L Pump Tank	9	泵出口组件 (带压力表) Pump outlet assembly (With pressure gauge)
4	8L泵罐 8L Pump Tank	10	泵出口组件 (不带压力表) Pump outlet assembly (Without pressure gauge)
5	12L泵罐 12L Pump Tank	11	安全阀 Relief valve
6	控制面板 Control panel		

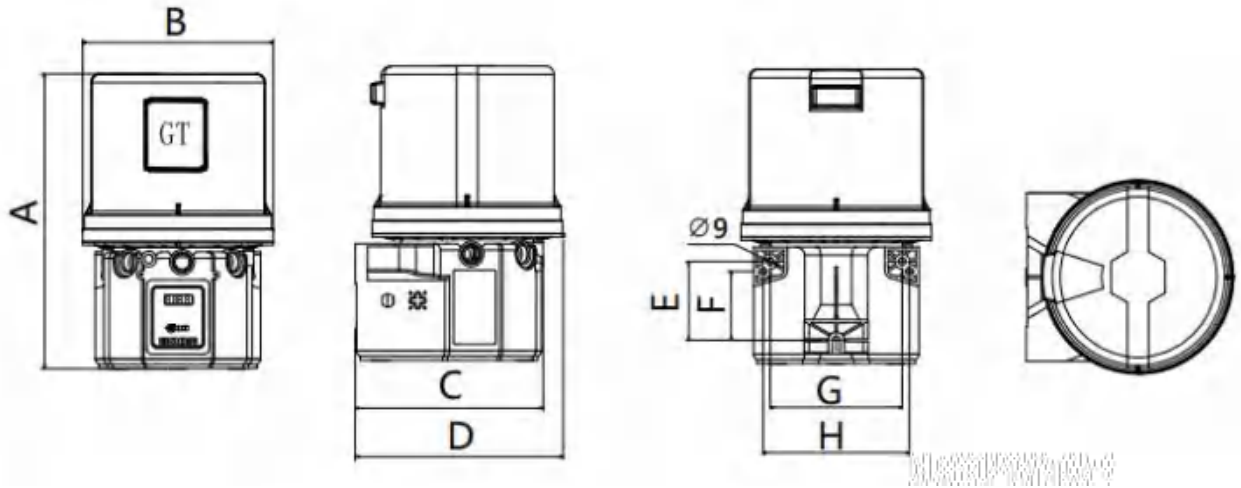
2L & 4L 尺寸 Dimensions(mm):



容积 Reservoirs	A	B	C	D	E	F	G	H
2L	338	204	231.5	248	95.5	83.5	162.5	180
4L	378	204	231.5	248	95.5	83.5	162.5	180

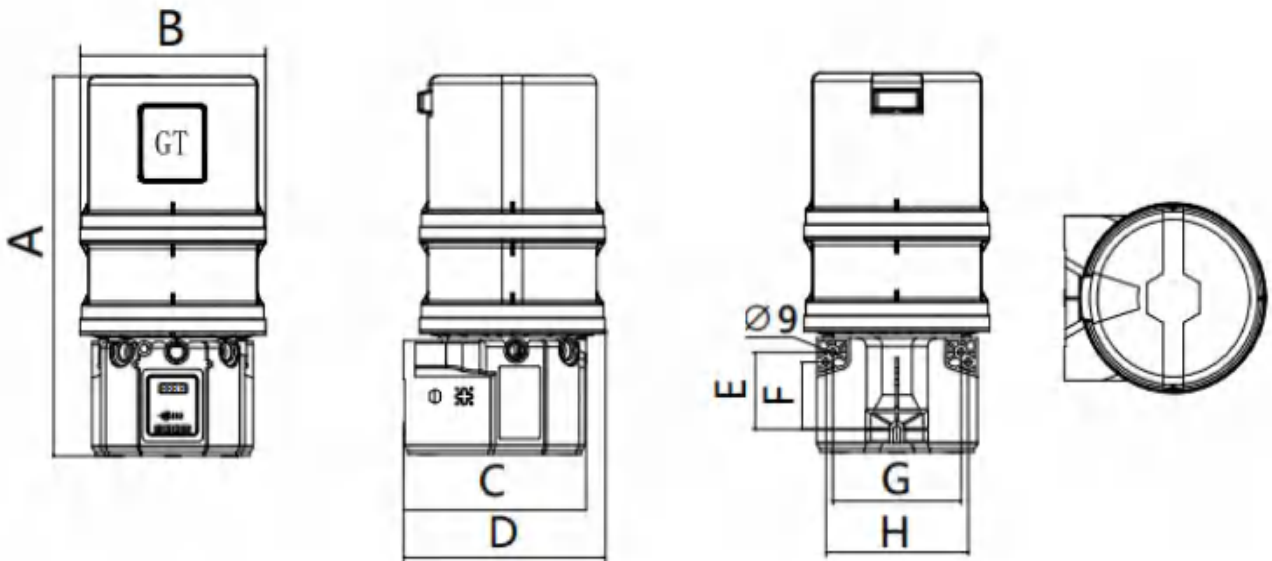
GT润滑泵 GT Lubrication pump

6L 尺寸 Dimensions (mm):



容量 Reservoirs	A	B	C	D	E	F	G	H
6L	358	235	231.5	256.5	95.5	83.5	162.5	180

8L & 12L 尺寸 Dimensions (mm):



容量 Reservoirs	A	B	C	D	E	F	G	H
8L	471	235	231.5	256.5	95.5	83.5	162.5	180.5
12L	585	235	231.5	256.5	95.5	83.5	162.5	180.5

控制系统 Control System:



基础版功能

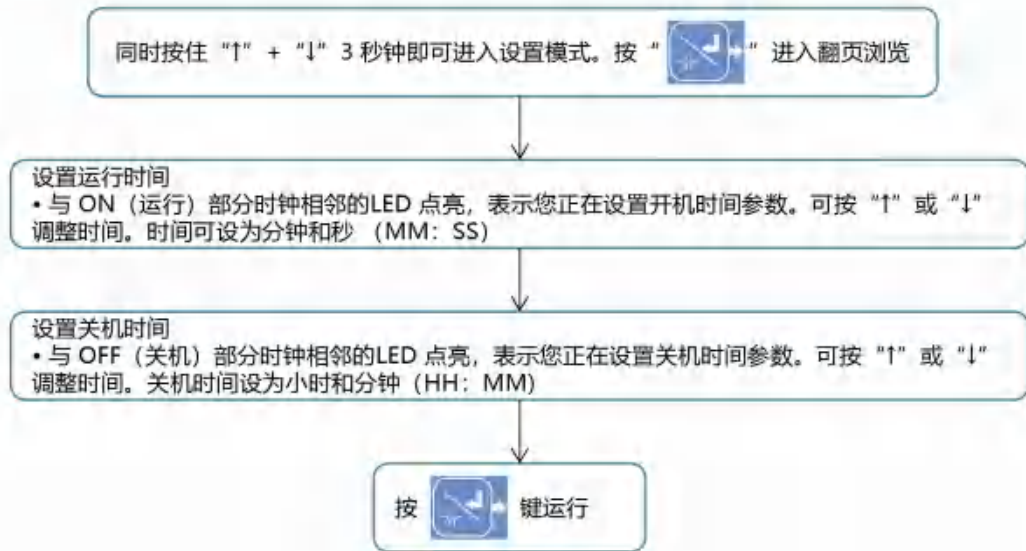
- 1 易于读数的LED显示屏
- 2 清晰易辨的开/关指示
- 3 向位、复位功能
- 4 易于使用的导航键
- 5 润滑系统关机报警信号
- 6 润滑系统关机前的预警关机信号
- 7 低液位指示
- 10 向右、手动运行、回车功能

需定制功能

- 8 控制装置访问受密码保护
- 9 预润滑功能

★如需其他定制功能，请联系您的销售经理咨询。

- 清晰地显示面板
Clear panel
- 可编程设计程序
Programs that can be designed
- 可设计密码保护
It can be password protected
- 峰鸣报警
Sound alarm
- 低液位报警
Low level alarm
- 接近开关计数
Accept proximity switch
- 优良的抗震功能
Excellent shock resistance
- 预润滑功能
pre lubrication button



GT润滑泵 GT Lubrication pump

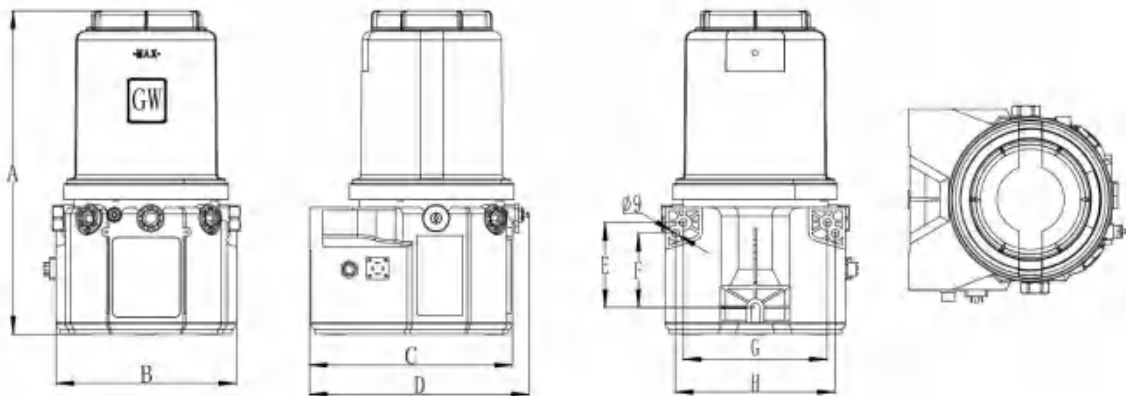
顶部开盖 Top cap:

1. 订购用于上部润滑脂盖的GT泵。请在标准型号后面加上-B。例如:20D220-B
 Order the GT-PLUS pump for the upper grease cover. Please add -B after the standard part number.
 For example:20D220-B



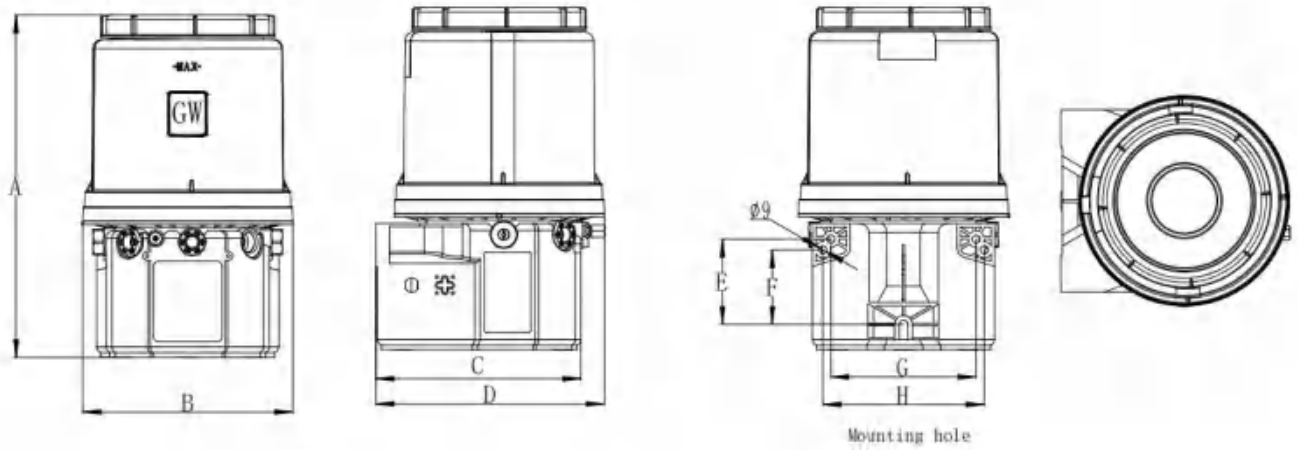
泵顶部开盖方式，大口径注塑盖。
 Pump grease, top open cover mode, large diameter injection cap
 适用：2L、6L、8L、12L
 此开盖方式不适用4L储罐

2L 尺寸 Dimensions (mm) :

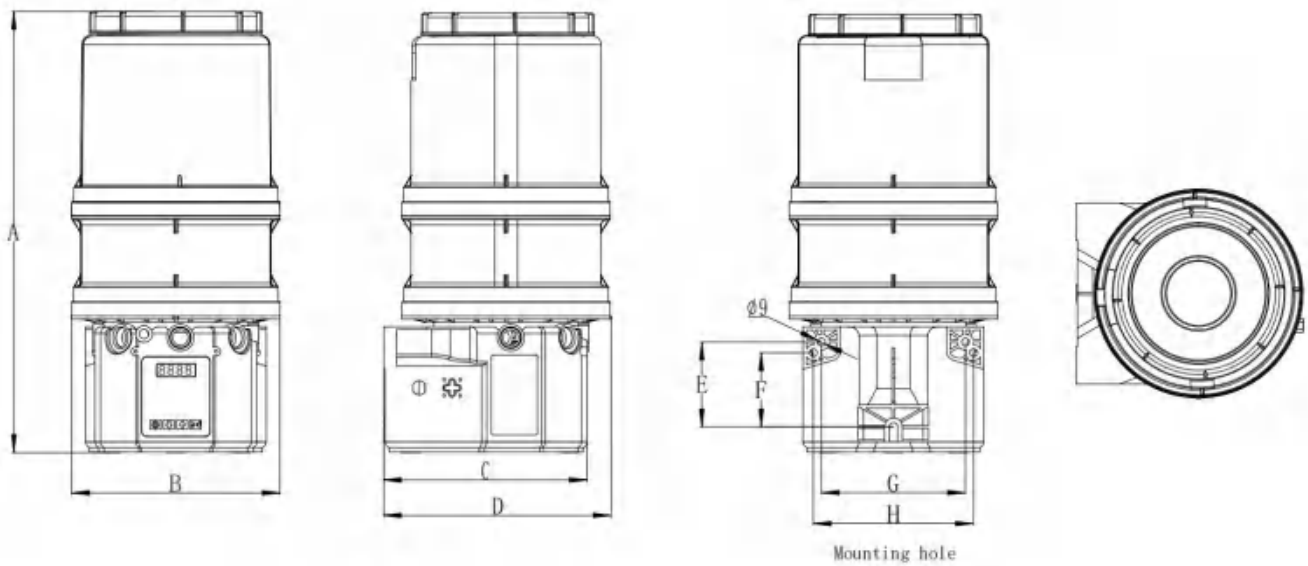


容积 Reservoir	A	B	C	D	E	F	G	H
2L	365	204	231.5	248	95.5	83.5	162.5	180.5

6L & 8L 尺寸 Dimensions (mm) :



容积 Reservoir	A	B	C	D	E	F	G	H
6L	385	235	231.5	255.5	95.5	83.5	162.5	180.5



容积 Reservoir	A	B	C	D	E	F	G	H
8L	498	235	231.5	255.5	95.5	83.5	162.5	180.5

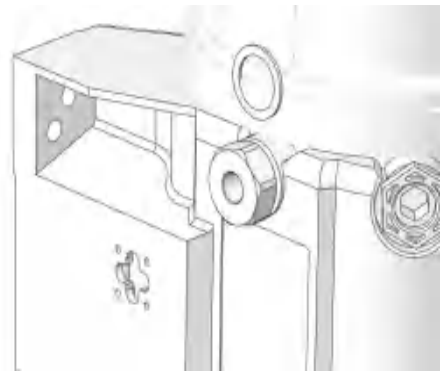
订购信息 Ordering information:

2. 每台GT泵出厂时在T1位置都配置了一个柱塞副。客户可以加购柱塞副安装在T2至T5位置。
 Every factory GT pump is equipped with a pump element at the T1 position. Customers can purchase pump element and install them in positions T2 through T5!

该选项仅适用于K6柱塞副，如选用其它型号，请咨询客服。
 Only suitable for K6, if you choose other pump head, please consult customer service.



3. 流量可通过垫片调节。泵排量设置可以使用0、1或2个垫片。禁止使用2个以上垫片。
 Displacement can be adjusted by shims. Pump displacement settings can use 0, 1 or 2 spacers. More than 2 spacers are prohibited.



垫片数量 No. Spacers	输出流量/分钟 Output Volume/Minute	
	立方英寸 cubic inches	立方厘米 cubic cm
2	0.12	2
1	0.18	3
0	0.25	4

多种补脂方式 Fill grease type:

① 手动黄油枪补脂
with grease gun kits



② 油脂包补脂
with cartridge



③ 手动泵补脂
with hand pump

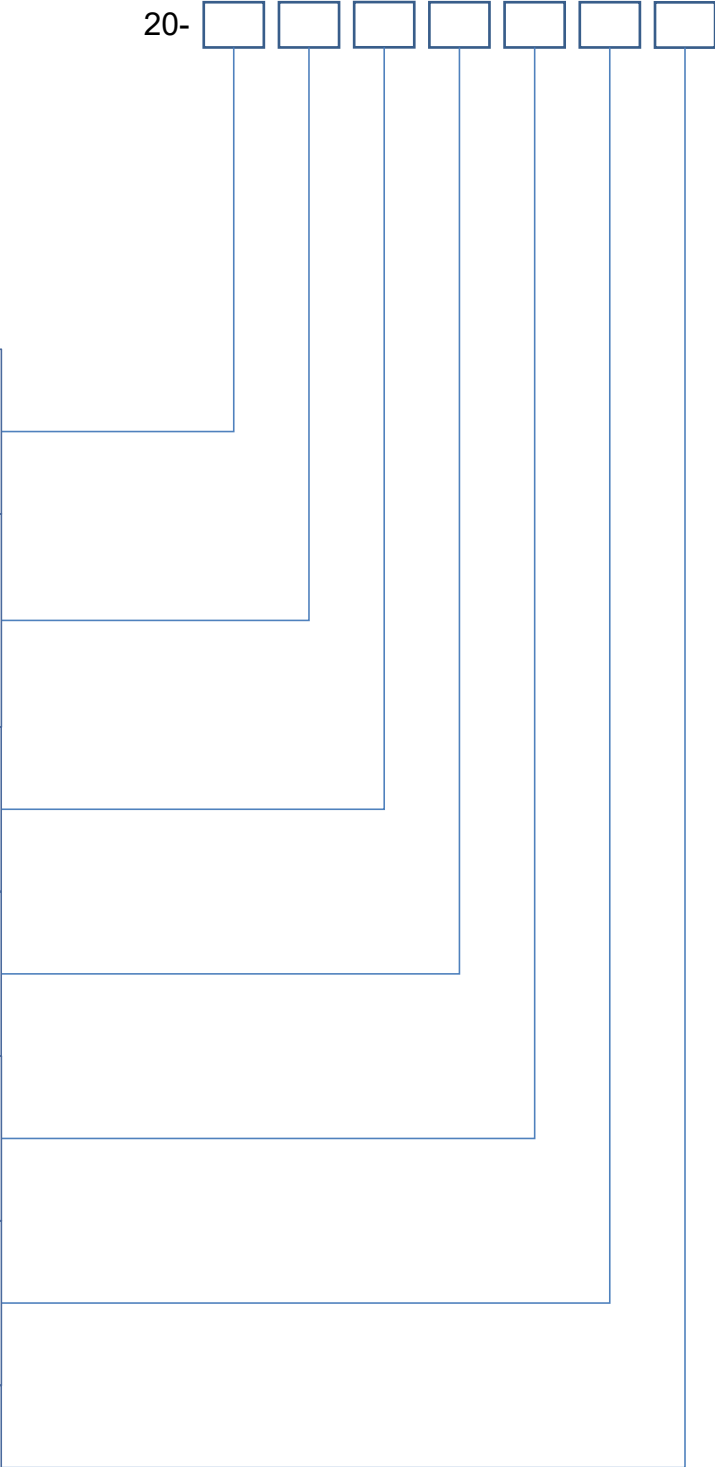


订购信息 Ordering information:



20-

<p style="text-align: center;">类型 Type</p> <p>D = 搅拌杆 stirrer E = 压油盘 with follower plate</p>
<p style="text-align: center;">容积 Reservoir</p> <p>2 = 2L 4 = 4L 6 = 6L 8 = 8L 12 = 12L</p>
<p style="text-align: center;">电压 Voltages</p> <p>2=12VDC 4=24VDC 6=220V</p>
<p style="text-align: center;">控制系统 Timer</p> <p>1 = 带控制 with timer 6 = 不带控制 without timer</p>
<p style="text-align: center;">低液位 Low Level</p> <p>L = 带低液位 with level M = 不带低液位 without level</p>
<p style="text-align: center;">润滑剂 Lubricant</p> <p>G = 油脂 Grease O = 稀油 Oil</p>
<p style="text-align: center;">补脂方式 Fill Type</p> <p>N = 黄油嘴 Grease Nipples F = 快插接头 Quick connection</p>
<p style="text-align: center;">开盖方式 Reservoir Feature</p> <p>A = 不开盖 Without top cover B = 注塑盖 Injection moulded cover</p>



快速补脂接头 Grease filling connector



GT 柱塞副 GT Pumping Element



型号 Part number	描述 Description	螺纹 Thread	型号 Part number	外径 OD	流量 Rated flow
80220	公头 Male connector	R1/4	80536	6mm	K6; 4ml/min
80221	母头 Female connector	R1/4	80537	7mm	K7; 5ml/min

泵出口组件 Pump outlet assembly

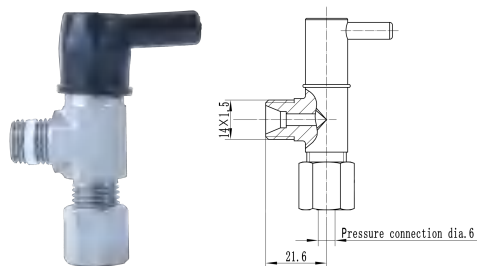


安全阀 Safety valve



型号 Part number	描述 Description	卸荷压力 Pressure	OD	型号 Part number	压力 Pressure	外螺纹 Male thread				
80532PG	带压力表 With pressure gauge	16MPa	6mm	5FI05	207bar/3000psi	M10*1				
80532PG-8			8mm	安全阀 Safety valve						
80532	不带压力表 Without pressure gauge		6mm							
80532-8			8mm							
80533PG	带压力表 With pressure gauge	40MPa	6mm	 <table border="1"> <thead> <tr> <th>型号 Part number</th> <th>描述 Description</th> <th>外螺纹 Male thread</th> </tr> </thead> <tbody> <tr> <td>5FI07</td> <td>275bar/4000psi</td> <td>NPT1/8</td> </tr> </tbody> </table>	型号 Part number	描述 Description	外螺纹 Male thread	5FI07	275bar/4000psi	NPT1/8
型号 Part number			描述 Description		外螺纹 Male thread					
5FI07	275bar/4000psi		NPT1/8							
80533PG-8	8mm									
80533	不带压力表 Without pressure gauge	6mm								
80533-8		8mm								

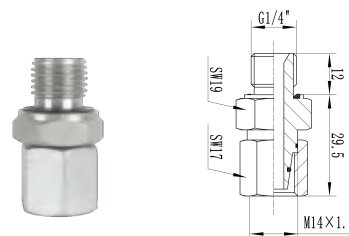
安全阀 Safety valve



型号 Part number	管径 OD	外螺纹 Male thread	压力 Pressure
5FJ01	φ6	M14*1.5	345bar/5000psi

直通接头
Straight fitting assembly

配合5FJ01使用
Use with 5FJ01



型号 Part number	内螺纹 Female thread	外螺纹 Male thread	材质 Material
5G1404	M14*1.5	G1/4 ED	碳钢镀锌镍 Zinc plated

前端补脂枪套件 Follow plate and grease gun kits:



名称 Description	型号 Part number	油脂接头 Grease fitting
补脂枪 套件 Grease Gun Kits	MG500	普通接头 Standard Connector
补脂枪 套件 Grease Gun Kits	MG500-C	带止回阀接头 Grease fitting with check valve
名称 Description	型号 Part number	适用油桶 Oil drum
压油盘 Follower Plate	95660C	16KG

GT泵安装支架 GT Mounting bracket



控制器防护罩 Controller shield



描述 Description	型号 Part number	描述 Description	型号 Part number
泵安装支架 Mounting bracket	90234	PC	97116

手动运行按钮 (绿色指示灯)
Button with green lamp



压力开关 Pressure switch



描述 Description	型号 Part number
12V	90212
24V	90224

描述 Description	型号 Part number
可调整型 Adjustable Type	91346
压力固定 - 20MPa Pressure fixation	96520
压力固定 - 25MPa Pressure fixation	96521
压力固定 - 3.5MPa Pressure fixation	96522

用于快速补脂的油脂包 Cartridge



描述 Description	型号 Part number	容积 Reservoir
油脂包 Cartridge	CSL-J100	700CC
	CSL-C100	700CC



GM 电动润滑泵

- 体积更精巧
- 可输送稀油和油脂
- 多样的补脂方式
- 强大的集中控制系统
- 多种电压可选



Characteristics

- 容积 Reservoir:
- 1.5L
- 2L
- 4L
- 电压 Voltages:
- 12VDC
- 24VDC
- 220VAC
- 可输送稀油和油脂
- Pump oil and grease
- 多样的补脂方式
- Multiple grease filling ways
- 强大的集中控制系统
- Powerful centralized control system
- CE认证
- CE Certification
- 外观专利
- Design patent
- IP65

体积小，大性能

先进的设计和解决方案

HIGH PERFORMANCE IN A COMPACT PUMP

GM是一款高压柱塞泵，最多可配5个柱塞副，可同时给五个独立线路润滑，出口可合并增加排量。

GM is a piston pump, predisposed to operate with a maximum of five pumping units, Five independent line lubrication at the same time. Output can be combined and increase displacement.

适用于递进或者单线系统。其尺寸特别适用于狭小空间安装。最高工作压力可达25Mpa，是润滑系统中更加经济的解决方案。

Its design is particularly suitable for progressive systems or single line systems. Its size is particularly suitable for installation in small Spaces. With a maximum working pressure of 25Mpa, it is a more economical solution for lubrication systems.

特殊的本体材料，达到非常优异的抗震功能。

The special body material achieves very excellent seismic function.

特别的泵罐设计，易于观察油位并有效阻隔紫外线照射，防止润滑油变质。

With special materials, to achieve excellent anti-shock ability Special design of pump make it easy to observe the oil level and prevent UV radiation, prevent oil deterioration.

具备低液位内部报警，带闪烁蜂鸣。也可以选择信号输出。

With low liquid level alarm, flashing buzzer. Also can choose the type of output.

具备两种型号模式

标准：由外部PLC管理。不带内置控制单元，因此是润滑系统中更加经济的解决方案。

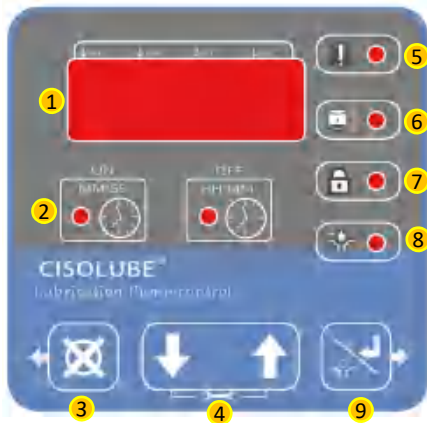
Standard: can be managed by an external PLC. Since it does not come with an internal control unit, this is the most economic solution for lubricating your systems.

自动：带集成控制系统，可本地设置运行时间。配备本地运行及报警指示灯，报警带蜂鸣，提供低液位及脉冲报警，可与分配元件的监控器组合成一套完美的运行系统。

Automatic: With integrated control system, which can be set up local running time. Equipped with local operation and alarm light, alarm with buzzer, provide low level and pulse alarm, which can be combined with the monitor of distributor units into a perfect operating system.



控制系统操作说明



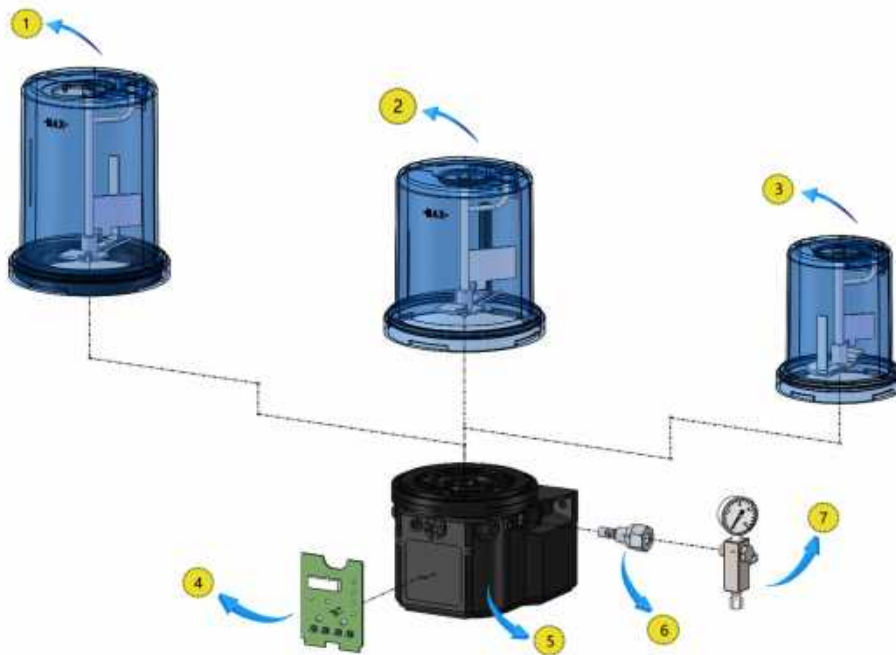
基础版功能

- ① 易于读数的LED显示屏
- ② 清晰易辨的开/关指示
- ③ 向位、复位功能
- ④ 易于使用的导航键
- ⑤ 润滑系统关机报警信号
- ⑥ 低液位指示
- ⑨ 向右、手动运行、回车功能

需定制功能

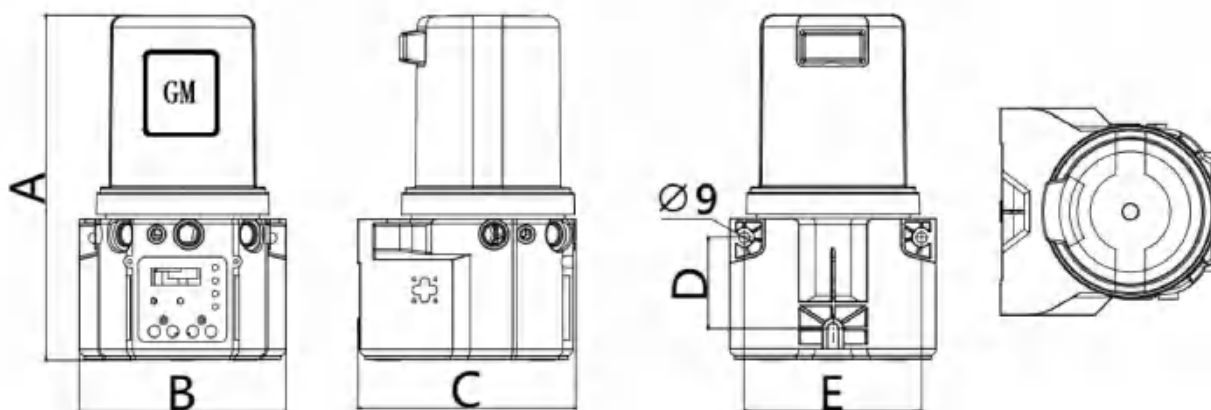
- ⑦ 控制装置访问受密码保护
- ⑧ 预润滑功能

★如需其他定制功能，请联系您的销售经理咨询。



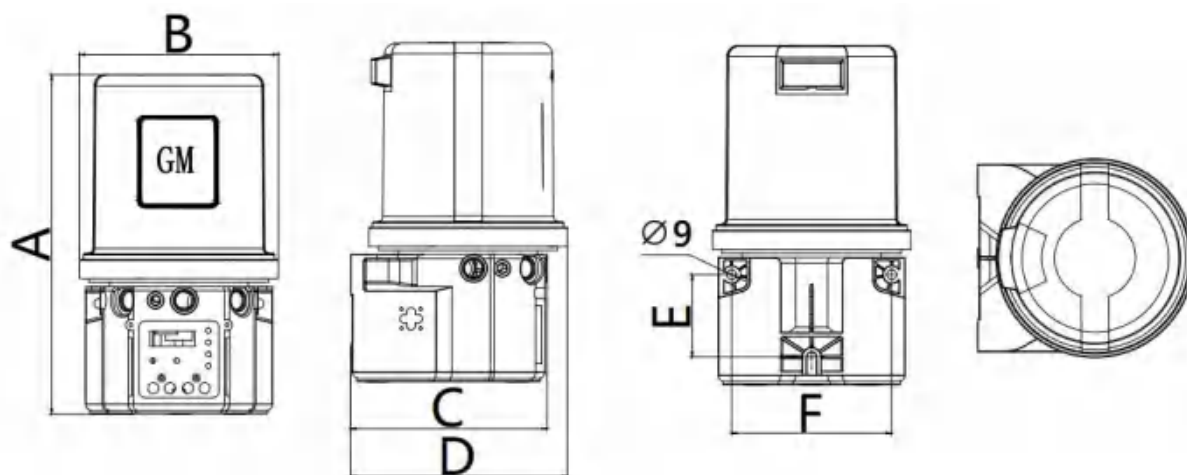
序号 №	部件名称 Part	序号 №	部件名称 Part
1	4L 泵罐 4L Pump Tank	5	泵底座 Pump base
2	2L 泵罐 2L Pump Tank	6	GM柱塞副 GM Pumping Element
3	1.5L 泵罐 1.5L Pump Tank	7	出口安全阀组件 Pump outlet assembly (With pressure gauge)
4	控制板 Control panel		

1.5L 尺寸 Dimensions (mm) :



容积 Reservoirs	A	B	C	D	E
1.5L	292	175	184	77	150

2L&4L 尺寸 Dimensions (mm) :



容积 Reservoirs	A	B	C	D	E	F
2L	314	186	184	203	77	150
4L	354	186	184	203	77	150

基本技术参数 Technical characteristics

泵输出单元 Unit of pump outlets	最多5出口 Max. 5 outlets
出口螺纹 Outlet thread	G1/4
额定流量 Rated flow	4ml/min
运行压力 Operating pressure	Max. 25MPa
油箱容积 Reservoir Capacity	1.5、2、4L
润滑剂 Lubricants	OIL、000、00、0、1、2
使用温度 Operating temperatures	-40 - 90°C

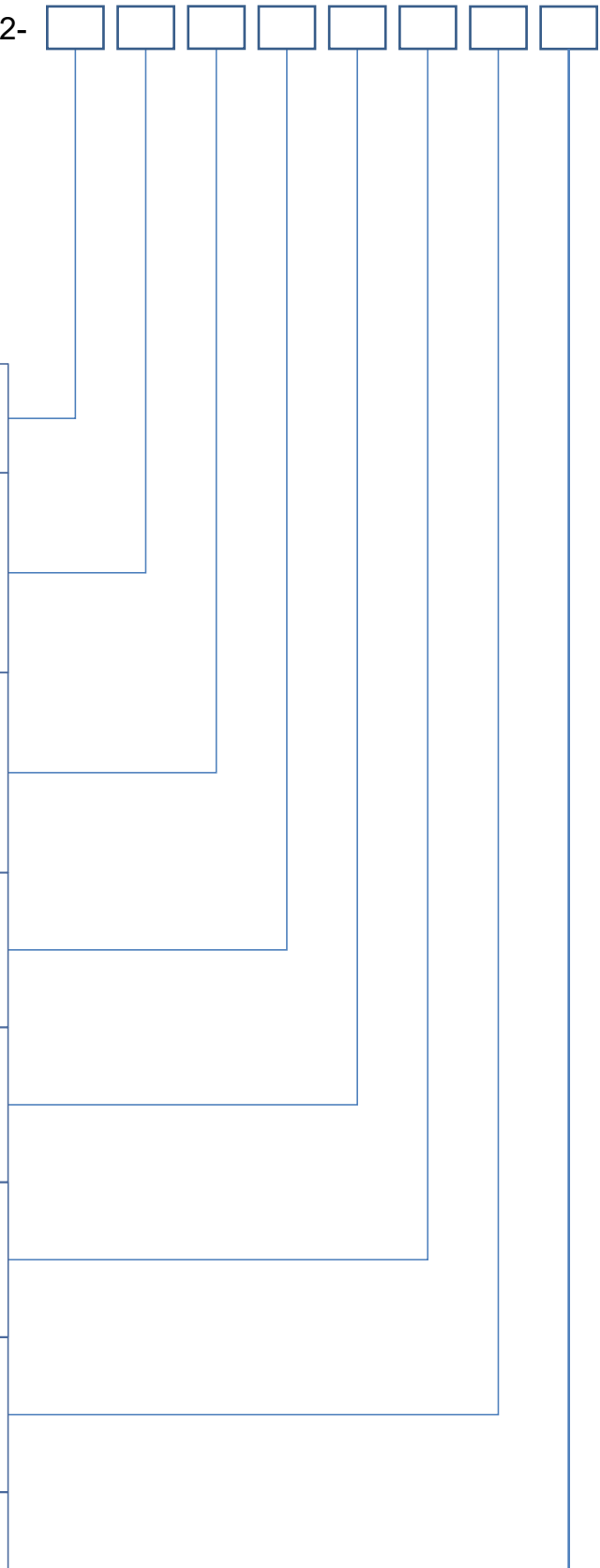


产品选型 Ordering information:



22-

<p>类型 Type D = 搅拌杆 Stir</p>
<p>容积 Reservoir 1 = 1.5L 2 = 2L 4 = 4L</p>
<p>电压 Voltages 2 = 12VDC 4 = 24VDC 6 = 220VAC</p>
<p>控制器 Timer 1 = 带控制 with timer 6 = 不带控制 without timer</p>
<p>低液位 Low Level L= 带低液位 with level M= 不带低液位 without level</p>
<p>润滑剂 Lubricant G = 油脂 Grease O = 稀油 Oil</p>
<p>补脂方式 Fill Type N = 黄油嘴 Grease Nipples F = 快插接头 Quick connection</p>
<p>开盖方式 Reservoir Feature A = 不开盖 Without top cover B = 注塑盖 Injection moulded cover</p>



快速补脂接头 Grease filling connector



型号 Part number	描述 Description	螺纹 Thread
80220	公头 Male connector	R1/4
80221	母头 Female connector	R1/4

GM 柱塞副 GM Pumping Element



型号 Part number	外径 OD	流量 Rated flow
88535	5mm	P5; 3.3ml/min
88536	6mm	P6; 4ml/min

泵出口组件 Pump outlet assembly



型号 Part number	描述 Description	卸荷压力 Pressure	OD
80532PG	带压力表 With pressure gauge	16MPa	6mm
80532PG-8			8mm
80532	不带压力表 Without pressure gauge		6mm
80532-8			8mm
80533PG	带压力表 With pressure gauge	40MPa	6mm
80533PG-8			8mm
80533	不带压力表 Without pressure gauge		6mm
80533-8			8mm

安全阀 Safety valve



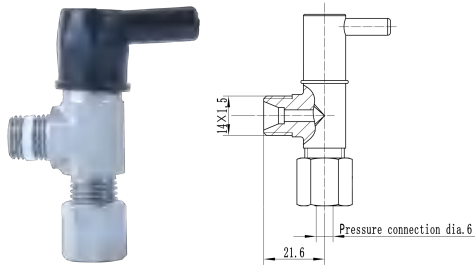
型号 Part number	压力 Pressure	外螺纹 Male thread
5FI05	207bar/3000psi	M10*1

安全阀 Safety valve

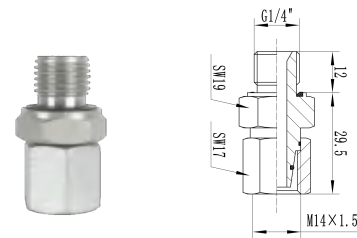


型号 Part number	描述 Description	外螺纹 Male thread
5FI07	275bar/4000psi	NPT1/8

安全阀 Safety valve



直通接头 Straight fitting assembly 配合5FJ01使用 Use with 5FJ01



型号 Part number	管径 OD	外螺纹 Male thread	压力 Pressure
5FJ01	φ6	M14*1.5	345bar/5000psi

型号 Part number	内螺纹 Female thread	外螺纹 Male thread	材质 Material
5G1404	M14*1.5	G1/4 ED	碳钢镀锌镍 Zinc plated

前端补脂枪套件 Follow plate and grease gun kits:



名称 Description	型号 Part number	油脂接头 Grease fitting
补脂枪 套件 Grease Gun Kits	MG500	普通接头 Standard Connector
补脂枪 套件 Grease Gun Kits	MG500-C	带止回阀接头 Grease fitting with check valve
名称 Description	型号 Part number	适用油桶 Oil drum
压油盘 Follower Plate	95660C	16KG

GM泵安装支架 Mounting bracket



控制器防护罩 Controller shield



描述 Description	型号 Part number
泵安装支架 Mounting bracket	90235

描述 Description	型号 Part number
PC	97117

GM润滑泵 GM Lubrication pump

手动运行按钮（绿色指示灯）
Button with green lamp



压力开关 Pressure switch



描述 Description	型号 Part number
12V	90212
24V	90224

描述 Description	型号 Part number
可调整型 Adjustable Type	91346
压力固定 - 20MPa Pressure fixation	96520
压力固定 - 25MPa Pressure fixation	96521
压力固定 - 3.5MPa Pressure fixation	96522

用于快速补脂的油脂包 Cartridge



描述 Description	型号 Part number	容积 Reservoir
油脂包 Cartridge	CSL-J100	700CC
	CSL-C100	700CC

DSP

分配器

用于矿物油和润滑脂的逐步输送润
滑

最大工作压力- 5076 psi (350 bar, 35
MPa)

特性

Characteristics

- 可以输送稀油和油脂

Pump oil and grease

- 最小工作压力

Min. Pressure:

20 Bar, 300 psi

- 最大工作压力

Max. Pressure: 350

Bar, 5075 psi

- 工作温度

Operating

Temperature:

-40 ~ +200 °C

- 润滑剂粘度

Lubricant viscosity:

Oil- NLGI 2

- 接近开关型

Proximity Type:

PNP 或 NPN 10-

30V DC - 200 mA

整体式无泄漏高压分配阀

Single block progressive distributor valve

DSP是一种单块式递进分配器，是狭窄空间的最好选择。

有6, 8, 10, 12, 14, 16, 18, 20和22个出口各款产品可供选择，每个出口流量0.2 cm³/循环(0.01 in³/循环)

The DSP is a single block progressive divider valve that is ideal for applications where space is limited.

It is available in 6,8,10,12,18,20 and 22 outlet versions, each with an output of 0.2 cm³ inch per cycle.



任意出口在安装堵头后可以和相邻的下一个出口相连，实现流量叠加。

An outlet can also be merged with the sequential outlet on the block by removing the special outlet fitting and installing a plug.

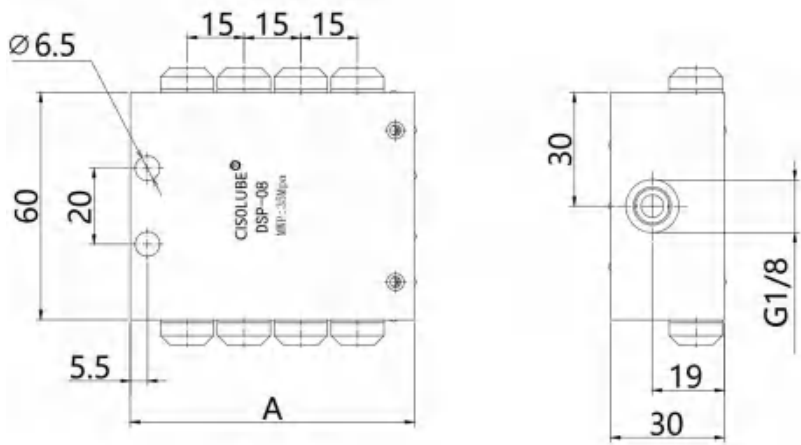
通过移走一个堵头，换成目视或者电子监控装置，可以实现目视或电子监控。油脂被泵入计量阀后，递进式计量阀中柱塞依次动作，等量地将油脂分配到每一个出口。

Visual or electronic monitoring can be achieved simply by removing a plug and installing a visual or electronic add-on device as shown below. The spools in a progressive metering valve operate sequentially partitioning equally across the outlets, the grease being pumped into the metering block inlet.

泵入阀体内部的润滑脂由递进式活塞均匀地分配给每个出口。如果一个润滑点被堵，所有点将停止工作，从而让用户用一个监控装置就可以监控整个系统。

The grease pumped inside of the block is distributed by the piston dispensers of the progressive dosing device equally among the different outputs. In case a single output becomes blocked, the pistons stop their activity allowing for the control of the entire system by means of a single device for this purpose.

安装尺寸 Dimensions:



出口数 Outlets	A
6	60
8	75
10	90
12	105
14	120
16	135
18	150
20	165
22	180

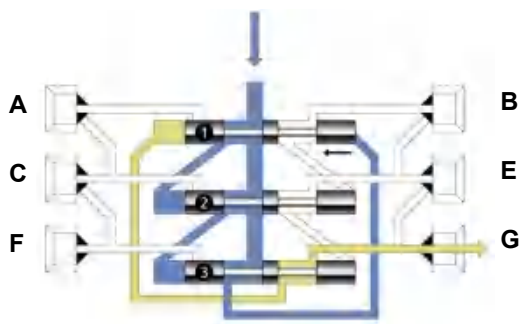
产品特点 Product feature:

技术参数 Technical parameters

最小工作压力 Min. Pressure	Min. 20 Bar
最大工作压力 Max. Pressure	Max. 350 Bar
润滑剂 Lubricants	Oil 46 - NLGI-2#
工作温度 Operating temperature	-40 °C to 200 °C
排量 Discharge (for outlet)	0.2ml/cyc
进口螺纹 Inlet port	G1/8
出口螺纹 Outlet port	M10x1
出油口数量 Outlets*	6 - 22
循环周期 Piston cycles	Max 200 cyc/min
材质 Material	碳钢 或 不锈钢 Carbon steel or SS

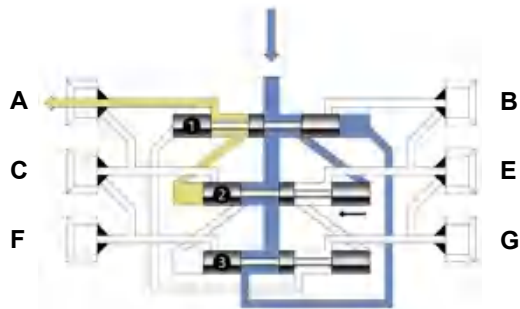
* 出油口可合并, * 1 和 * 2 不可合并。

Outlets can be combined, Outlet * 1 and * 2 should never be closed.



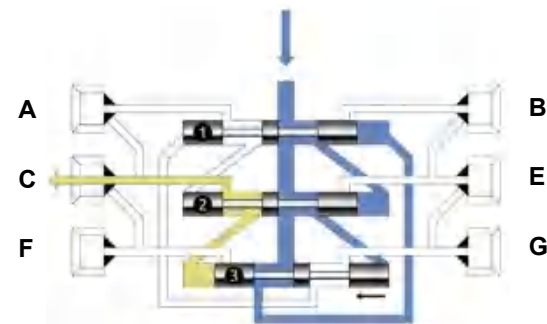
1

压力使柱塞1向左移动，推动油脂，使油脂（黄色）从G点排出。
Lubricant low pressure (blue) moves piston 1 to the left allowing lubricant discharge (yellow) from G.



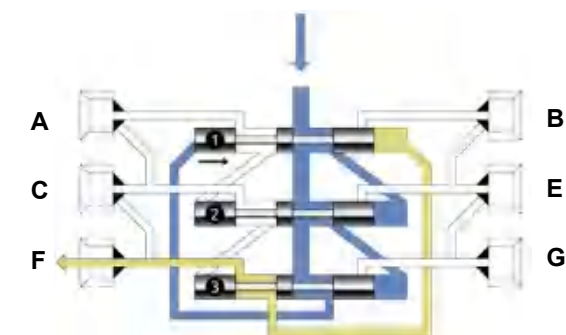
2

当柱塞1达到极限时，油脂在压力（蓝色）的作用下涌向柱塞2。油脂（黄色）从A排出。
When piston 1 reaches its limit, lubricant low pressure (blue) operates on piston 2. Lubricant volume (yellow) discharge from A.



3

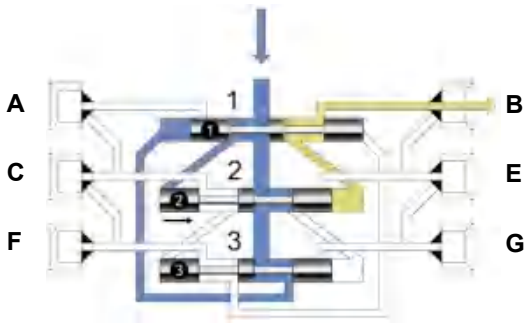
当柱塞2达到极限时，压力（蓝色）涌向柱塞3。油脂（黄色）从C排出。
When piston 2 reaches its limit, lubricant low pressure (blue) operates on piston 3. Lubricant volume (yellow) discharge from C.



4

当柱塞3达到极限时，压力（蓝色）涌向柱塞1。油脂（黄色）从F排出。
When piston 3 reaches its limit, lubricant low pressure (blue) operates on piston 1. Lubricant volume (yellow) discharge from F.

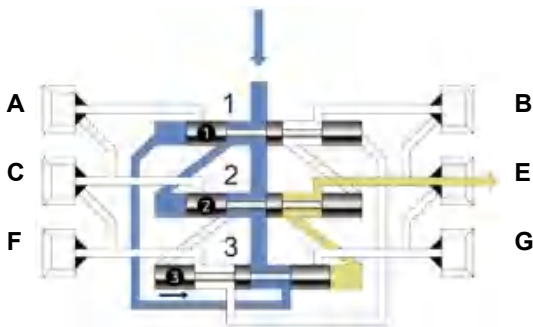
5



当柱塞1达到极限时，压力（蓝色）涌向柱塞2。油脂（黄色）从B排出。

When piston 1 reaches its limit, lubricant low pressure (blue) operates on piston 2. Lubricant volume (yellow) discharge from B.

6



当柱塞2达到极限时，压力（蓝色）涌向柱塞3。油脂（黄色）从E排出。系统已准备好进入新的循环。

When piston 2 reaches its limit, lubricant low pressure (blue) operates on piston 3. Lubricant volume (yellow) discharge from E. The system is ready for a new cycle.

目视指示杆 Visual pin:



机械指示杆显示柱塞运动，监测整个系统的正常运行。

The visual pin shows the piston movement, monitoring the proper operation of the entire system.

电子感应指示杆 Inductive sensor:



电压 Voltage	6-30 VDC
输出电流 Outlet current	Max 200 mA
工作温度 Operating temperature	- 30 °C to +70 °C
出口排量 Discharge (for outlet)	0.2ml/cycle
传感器护套 Sensor block	Pet-G
连接尺寸 Connection	M8x1

订购型号 无进出口接头 Ordering Number Without inlet and outlet fittings:

标准阀块 Standard



出口数量 Outlets	型号 Part number
6	31N03
8	31N04
10	31N05
12	31N06
14	31N07
16	31N08
18	31N09
20	31N10

目视指示杆 With visual pin



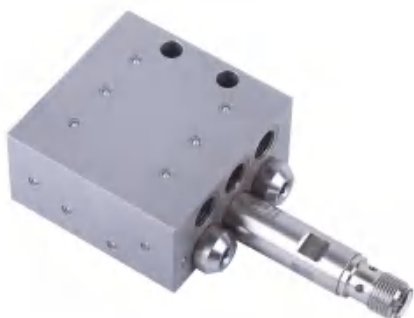
出口数量 Outlets	型号 Part number
6	33V03
8	33V04
10	33V05
12	33V06
14	33V07
16	33V08
18	33V09
20	33V10

电子传感器
With inductive sensor



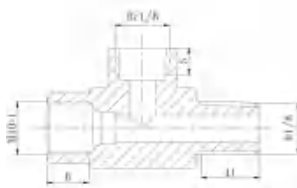
出口数量 Outlets	型号 Part number
6	33M03
8	33M04
10	33M05
12	33M06
14	33M07
16	33M08
18	33M09
20	33M10

超级传感器 Ultra sensor:



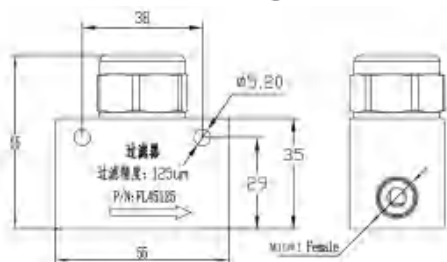
型号 Part number	连接螺纹	连接形式	接头形式
124581	M12*1, 4Core	PNP	直通式
124582	M12*1, 4Core	PNP	直角式
124580	M12*1, 4Core	NPN	直通式
124583	M12*1, 4Core	NPN	直角式

三通接头 with grease nipple inlet assembly:



型号 Part number	内螺纹 Thread F	内螺纹 Thread F	外螺纹 Thread M
3T100202	M10x1	R1/8	R1/8

过滤器 Inset filter:



型号 Part number	精度 Rate	螺纹 Thread F	材质 Material
FL45180	180µm	M10*1	SS
FL45125	125µm	M10*1	SS
AL45180	180µm	M10*1	AL
AL45125	125µm	M10*1	AL

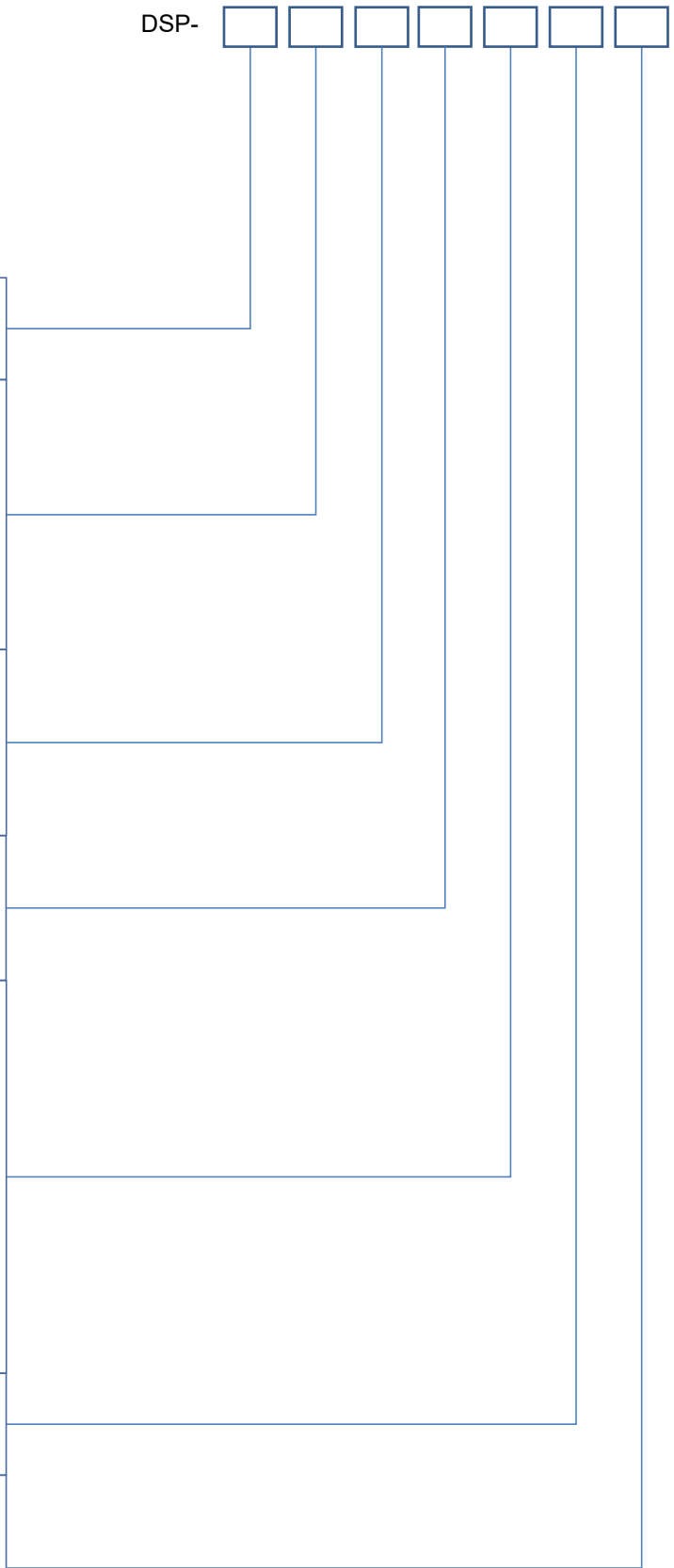
如需订购其它精度的过滤器, 请联系您的销售经理。

订购信息 Ordering information:



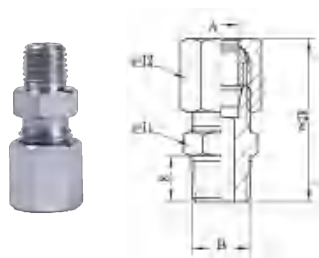
DSP-

<p>A =镀锌镍原色 Zinc-nickel B=镀锌镍黑 Zinc-nickel black</p>
<p>出口数量 Outlet Number 06=6 08=8 10=10 ⋮ 22=22</p>
<p>入口接头尺寸 Inlet Connector XX=不带进口接头 Without inlet fittings 06=Ø6mm 08=Ø8mm</p>
<p>入口接头形式 Inlet Connector shape D= 直通卡套接头 Straight fitting assembly H= 直角卡套接头 Angle fitting assembly</p>
<p>类型 Type XXX=不带指示杆 without pin 目视指示杆 Visual Pin Cxx=安装在xx口 Which outlet to install 电子传感器 Inductive sensor Exx=PNP型 安装在xx口 Which outlet to install Fxx=NPN型 安装在xx口 Which outlet to install 超级传感器 Ultra sensor KRxx= 安装在xx口 Which outlet to install</p>
<p>堵头 Plug XD=3-20</p>
<p>出口接头 Outlet Connector XX= 不带出口接头 Without outlet fittings S6= Ø6mm 带单向阀接头 Fitting with check valve K6= Ø6mm 快插接头 Quick Fitting</p>

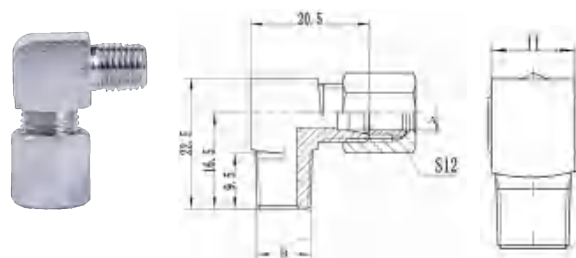


入口接头 Inlet fittings:

直通卡套接头 Straight fitting assembly



直角卡套接头 Angle fitting assembly

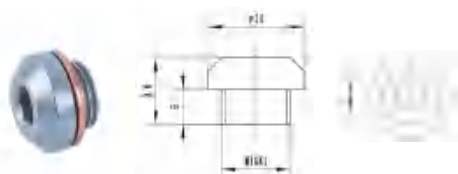


型号 Part number	A	B	材质 Material
5DM0602	Ø6	R1/8	碳钢镀白锌 Zinc plated
5DM0402	Ø4	R1/8	碳钢镀白锌 Zinc plated

型号 Part number	A	B	材质 Material
5HM0602	Ø6	R1/8	碳钢镀白锌 Zinc plated
5HM0402	Ø4	R1/8	碳钢镀白锌 Zinc plated

堵头 Plug:

出油口堵头 Outlet plug 30Mpa



型号 Part number	接管 OD	材质 Material
5PG10	M10*1	碳钢镀锌镍 Nickel plated

出口接头 Outlet fittings:

直通卡套接头 带锥度密封/带止回阀
Straight fitting with check valve 25Mpa



直通过接头 带锥度密封/带止回阀
Straight fitting with check valve



型号 Part number	管径 OD	螺纹 Thread	材质 Material
5CM0610	Ø6	M10*1	碳钢镀锌镍 Nickel plated

型号 Part number	内螺纹 F.Thread	外螺纹 M.Thread	材质 Material
5DC10	M10*1	M10*1	碳钢镀锌镍 Nickel plated

直通快插接头 带锥度密封/带止回阀
Push-in Fittings with check valve 25Mpa



直通快插接头 带锥度密封
Push-in Fittings 25Mpa



型号 Part number	管径 OD	螺纹 Thread	材质 Material
FP1104M10	Ø4	M10*1	碳钢镀锌镍 Nickel plated
FP1106M10	Ø6	M10*1	

型号 Part number	管径 OD	螺纹 Thread	材质 Material
HPQ1106M10	Ø6	M10*1	碳钢镀锌镍 Nickel plated

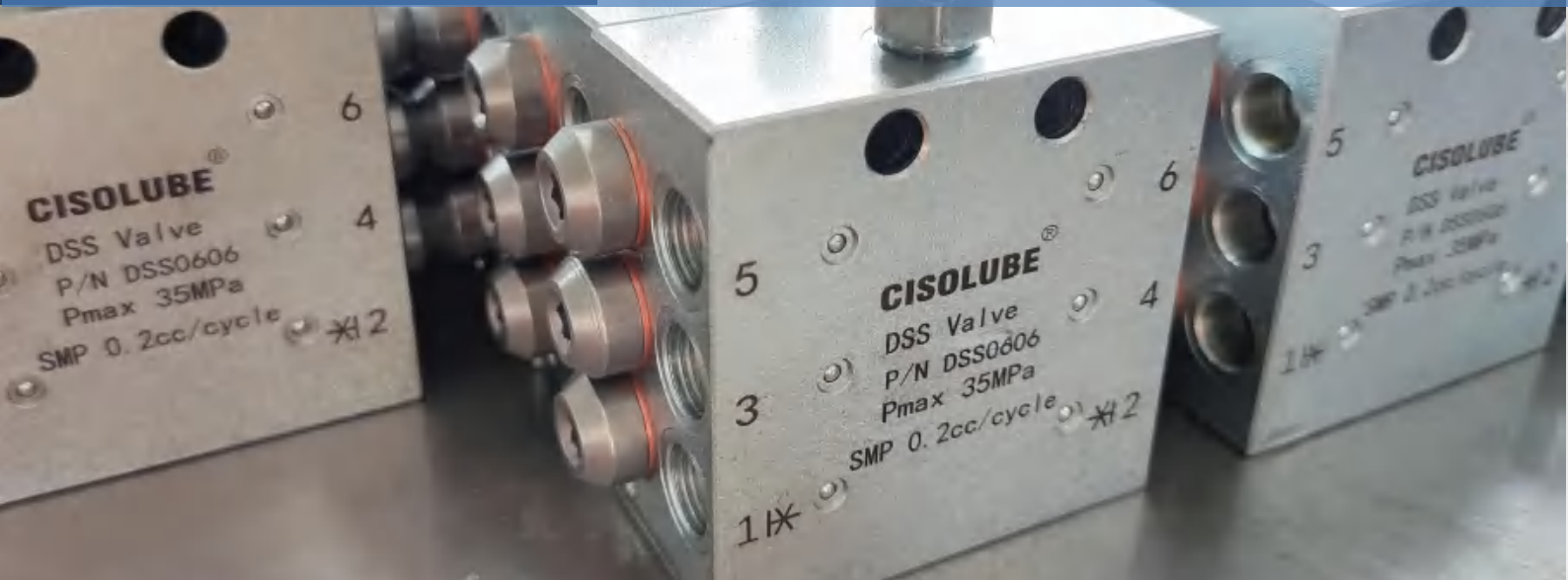


DSS

紧凑型块式递进式计量装置
固定排量

分配器

最大工作压力- 5076 psi (350 bar, 35 MPa)



整体式无泄漏高压分配阀

Single block progressive distributor valve



DSS是一种单块式递进分配器，是狭窄空间的最好选择。有6, 8, 10, 12, 14, 16, 18, 20和22个出口各款产品可供选择，每个出口流量0.2 cm³/循环 (0.01 in³/循环)

The DSS is a single block progressive divider valve that is ideal for applications where space is limited.

It is available in 6,8,10,12,18,20 and 22 outlet versions, each with an output of 0.2 cm³ inch per cycle.

通过移走一个堵头，换成目视或者电子监控装置，可以实现目视或电子监控。油脂被泵入计量阀后，递进式计量阀中柱塞依次动作，等量地将油脂分配到每一个出口。

Visual or electronic monitoring can be achieved simply by removing a plug and installing a visual or electronic add-on device. The spools in a progressive metering valve operate sequentially partitioning equally across the outlets, the grease being pumped into the metering block inlet.

如果一个润滑点被堵，所有点将停止工作，从而让用户用一个监控装置就可以监控整个系统。

In case a single output becomes blocked, the pistons stop their activity allowing for the control of the entire system by means of a single device for this purpose.

阀体内部无斜孔，不可交叉或内部不可并孔。可使用普通的带止回阀卡套接头，是润滑系统方案中比较经济的选择。

There is no diagonal hole inside the valve body, and the outlet cannot be crossed or combined inside. Common outlet connector can be configured, which is a more economical choice for the lubrication system scheme.

特点与优势

Features and benefits

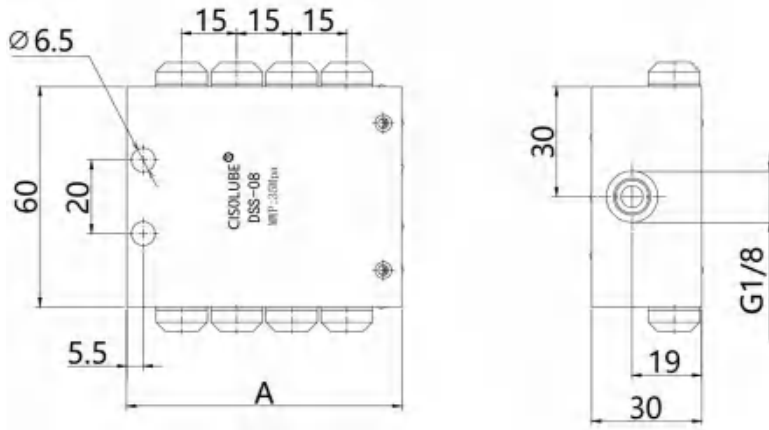
- 整体式设计，高压力
Integral design, high pressure
- 安装简单
Easy for installation
- 润滑系统中更加经济的解决方案
A more economical solution for lubrication systems

应用行业

Applications

- 建筑及矿山设备
Construction and mining
- 农业机械
Farm machinery
- 工业设备
Industrial equipment

安装尺寸 Dimensions:



出口数 Outlets	A
6	60
8	75
10	90
12	105
14	120
16	135
18	150
20	165
22	180

产品特点 Product feature:

技术参数 Technical parameters

最小工作压力 Min. Pressure	Min. 20 Bar
最大工作压力 Max. Pressure	Max. 350 Bar
润滑剂 Lubricants	Oil 46 - NLGI-2#
工作温度 Operating temperature	-40 °C to 200 °C
排量 Discharge (for outlet)	0.2ml/cyc
进口螺纹 Inlet port	G1/8
出口螺纹 Outlet port	M10x1
出口数量 Outlets	6 - 22
循环周期 Piston cycles	Max 200 cyc/min
材质 Material	碳钢 Carbon steel

订购型号 无进出口接头 Ordering Number Without inlet and outlet fittings:

标准阀块 Standard



出口数量 Outlets	型号 Part number
6	32N03
8	32N04
10	32N05
12	32N06
14	32N07
16	32N08
18	32N09
20	32N10
22	32N11

机械指示杆 With visual pin



出口数量 Outlets	型号 Part number
6	32V03
8	32V04
10	32V05
12	32V06
14	32V07
16	32V08
18	32V09
20	32V10
22	32V11

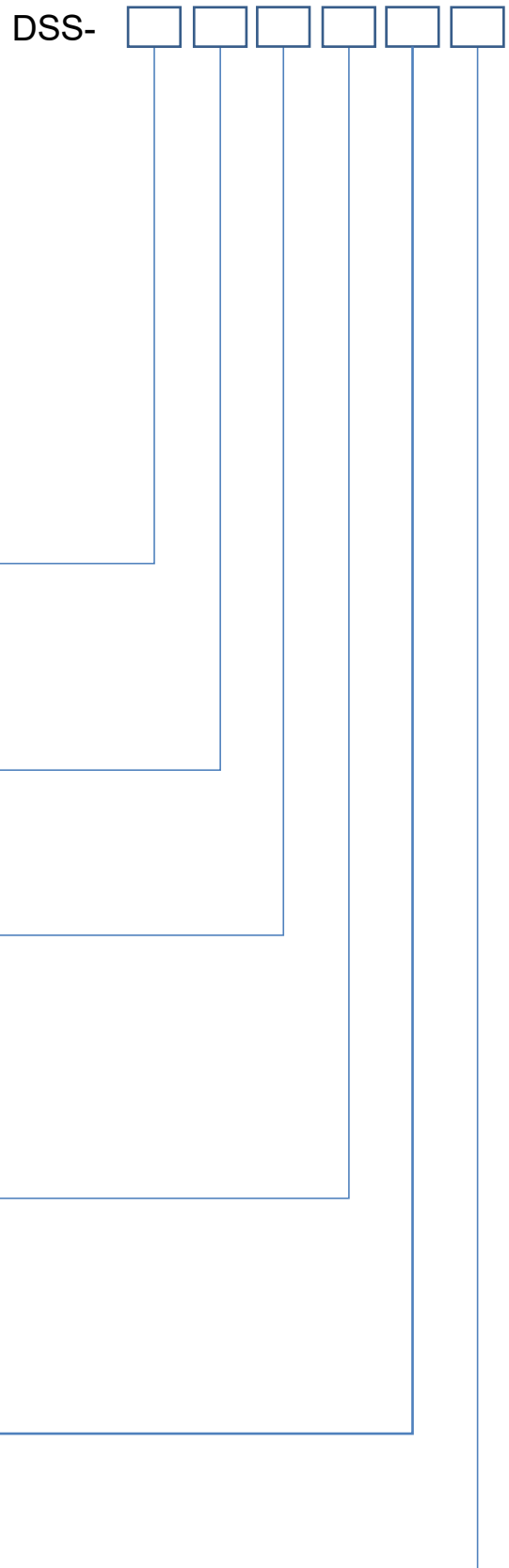
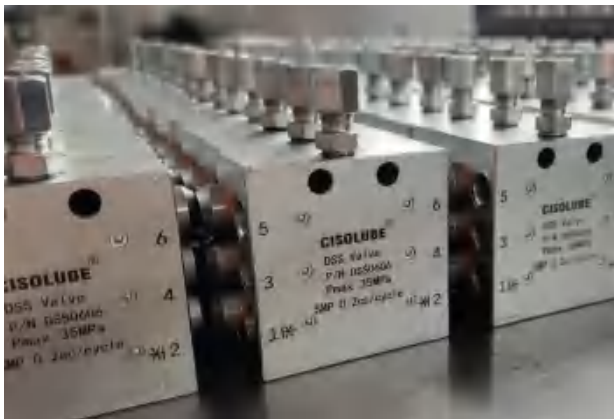
电子感应指示杆
With inductive sensor



出口数量 Outlets	型号 Part number
6	32M03
8	32M04
10	32M05
12	32M06
14	32M07
16	32M08
18	32M09
20	32M10
22	32M11



订购信息 Ordering information:



<p>出口数量 Outlet Number</p> <p>06=6</p> <p>08=8</p> <p>⋮</p> <p>22=22</p>
<p>入口接头尺寸 Inlet Connector</p> <p>XX=无进口接头 Without inlet fittings</p> <p>06=Ø6mm</p> <p>08=Ø8mm</p>
<p>入口接头形式 Inlet Connector shape</p> <p>D= 直通卡套接头 Straight fitting assembly</p> <p>H= 直角卡套接头 Angle fitting assembly</p>
<p>类型 Type</p> <p>XXX=不带指示杆 without pin</p> <p>目视指示杆 Visual Pin</p> <p>Cxx=安装在xx口 Which outlet to install</p> <p>电子传感器 Inductive sensor</p> <p>Exx=PNP型 安装在xx口 Which outlet to install</p> <p>Fxx=NPN型 安装在xx口 Which outlet to install</p> <p>超级传感器 Ultra sensor</p> <p>KRxx= 安装在xx口 Which outlet to install</p>
<p>堵头 Plug</p> <p>XD=3-20</p>
<p>出口接头 Outlet Connector</p> <p>XX= 不带出口接头</p> <p>S6= Ø6mm 带单向阀接头 Fitting with check valve</p> <p>K6= Ø6mm 快插接头 Quick Fitting</p>

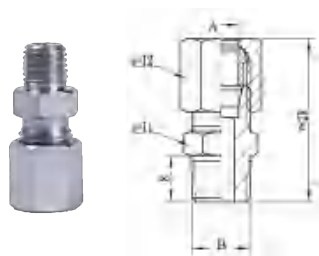
DSS和DSP技术参数

Technical parameters for DSS and DSP

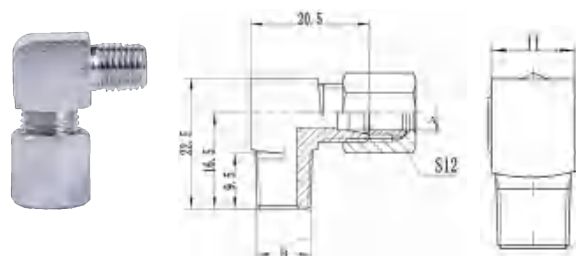
技术数据	DSS	DSP
工作压力 Operating pressure	20~350 Bar	20~350 Bar
润滑剂 Lubricants	Oil 46 - NLGI-2#	Oil 46 - NLGI-2#
工作温度 Operating temperature	-40 °C to 200 °C	-40 °C to 200 °C
排量 Discharge (for outlet)	0.2ml/cyc	0.2ml/cyc
进口螺纹 Inlet Thread	G1/8	G1/8
出口螺纹 Outlet Thread	M10x1	M10x1
循环周期 Piston cycles	Max 200 cyc/min	Max 200 cyc/min
出油口数量 Outlets	6 - 22 (出油口无法内部合并 outlet cannot be crossed or combined inside)	6 - 22 (内部特殊工艺, 可通过内部合并出油口, 将出油口数量减至2个, 并增加出油口排量。 * 1 和 * 2 不可关闭) By crossporting or closing outlets possible to reduce outlet number 2 . Outlet * 1 and * 2 should never be closed
出口接头 Outlet Connetor	6mm 带止回阀的卡套接头, 更能节约成本 6mm Fitting with check valve, morecost savings	6mm 带锥度密封及止回阀的卡套接头 6mm Fitting with check valve and taper seal
表面涂层 Coating	镀白锌 zinc-plated steel	镀锌镍原色 Zinc-nickel 镀锌镍黑 Zinc-nickel black

入口接头 Inlet fittings:

直通卡套接头 Straight fitting assembly



直角卡套接头 Angle fitting assembly



型号 Part number	A	B	材质 Material
5DM0602	Ø6	R1/8	碳钢镀白锌 Zinc plated
5DM0402	Ø4	R1/8	碳钢镀白锌 Zinc plated

型号 Part number	A	B	材质 Material
5HM0602	Ø6	R1/8	碳钢镀白锌 Zinc plated
5HM0402	Ø4	R1/8	碳钢镀白锌 Zinc plated

三通接头 with grease nipple inlet assembly:



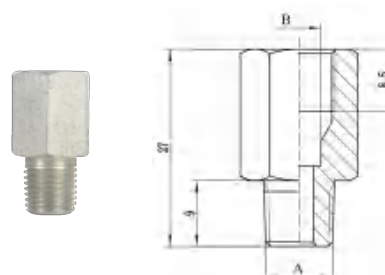
型号 Part number	内螺纹 Thread F	内螺纹 Thread F	外螺纹 Thread M
3T100202	M10x1	R1/8	R1/8

出口接头 Outlet fittings:

直通卡套接头 带止回阀
Straight fitting with check valve



直通转换接头 Straight-through fitting

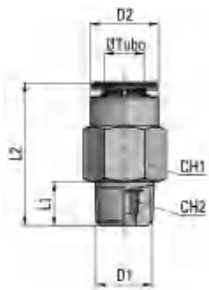


型号 Part number	管径 OD	螺纹 Thread	材质 Material
S13-06	Ø6	M10*1	碳钢镀锌镍 Zinc-nickel plated steel

型号 Part number	外螺纹 Thread M	内螺纹 Thread F	材质 Material
5G1010	M10*1	M10*1	碳钢镀锌镍 Zinc-nickel plated steel

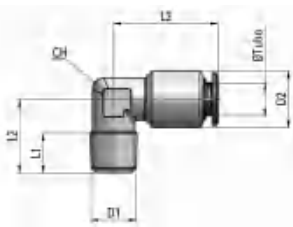
DXF分配器

HP11 直通快插 Taper Straight, Male 高压25Mpa



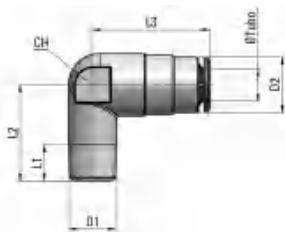
型号 Part number	管径 OD	D1	D2	L1	L2
HP1104M10	Ø4	M10*1.0	9.5	8	22.5
HP1106M10	Ø6	M10*1.0	11.5	8	24.5

MP14 - 直角快插 Taper Elbow Fitting, Male 10Mpa



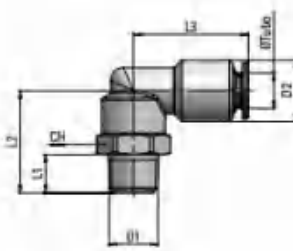
型号 Part number	管径 OD	D1	D2	L1	L2
MP1404M10	Ø4	M10*1.0	9	8	18
MP1406M10	Ø6	M10*1.0	12	8	18

HP14 - 直角快插 Taper Elbow Fitting, Male 25Mpa



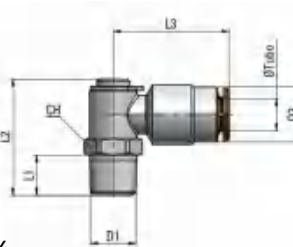
型号 Part number	管径 OD	D1	D2	L1	L2
HP1404M10	Ø4	M10*1.0	9.5	8	18
HP1406M10	Ø6	M10*1.0	11.5	8	21

MP15 - 直角快插 可旋转接头 Taper Elbow Fitting, Male, Rotatable 10Mpa



型号 Part number	管径 OD	D1	D2	L1	L2
MP1504M10	Ø4	M10*1.0	9	8	20.5
MP1506M10	Ø6	M10*1.0	12	8	21.5

HP18 - 直角快插 可旋转接头 Taper Elbow Fitting, Male, Rotatable 25Mpa



型号 Part number	管径 OD	D1	D2	L1	L2
HP1804M10	Ø4	M10*1	9.5	8	22
HP1806M10	Ø6	M10*1	11.5	8	24

VB

分配器

用于矿物油和润滑脂的逐步输送润滑

最大工作压力 - 3600 psi (250 bar, 25 MPa)



特性

Characteristics

- 可以输送稀油和油脂

Operation with oil and grease

- 紧凑性使其尤其适合用于有限空间

Compactness makes it particularly suitable for use in limited space

- 排量范围宽泛

Wide dose range

- CE认证

CE certification

适用于稀油和干油递进式分配的计量元件

Metering elements for progressive distributor of oil and grease

一组典型的VB分配阀包含一片“首片”、一片“尾片”和3至10片工作片组成。可以提供3至20个润滑点的润滑，VB分配阀的工作片，有各种规格的排量以供选择。双出口工作片（在工作片的规格数值后，用T表示双出口），有两个出油口，可以设定为侧面或者上方输出；单出口口（在工作片规格数值后，用S表示单出口），有一个出油口，它可以在工作片的任一端，而另一端需要堵塞。注意双出口工作片不能堵塞任一出口，否则会影响正常工作

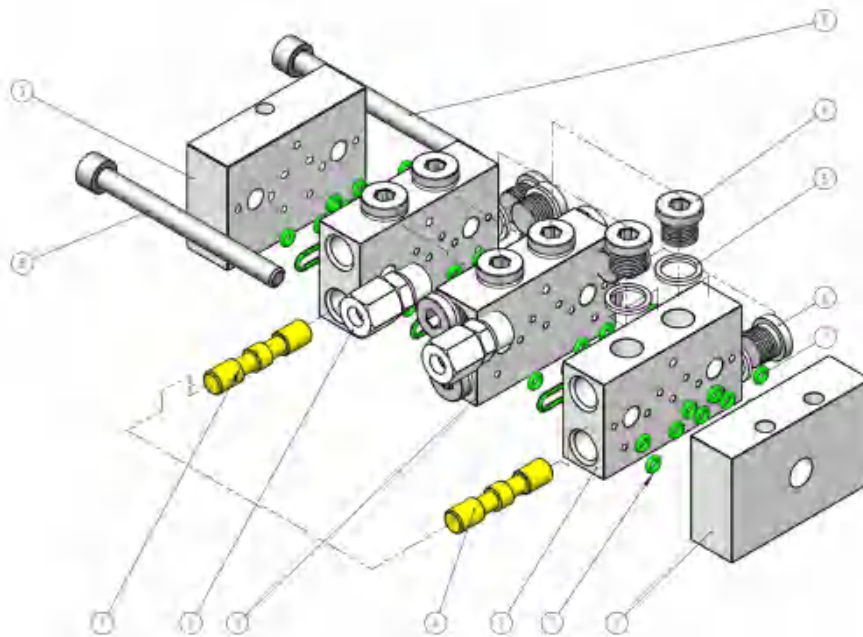
A typical VB distributor valve consists of a "first piece", a "tail piece" and 3 to 10 working pieces. Can provide 3 to 20 lubrication points of lubrication, VB distributor valve working piece, a variety of specifications of displacement for selection. The double outlet working piece (after the specification value of the working piece, the T represents the double outlet) has two oil outlets, which can be set as the side or upper output; the single outlet (after the specification value of the working piece, the S represents the single outlet) has one oil outlet, which can be at either end of the working piece, and the other end needs to be blocked. Note: that the double outlet working piece should not block any outlet, otherwise it will affect the normal operation.

可以轻松配置磁性和电子接近开关循环指示器，为成功润滑提供积极保障

Magnetic and electronic proximity switch cycle indicators can be easily configured to provide positive protection for successful lubrication



产品构成 Product composition:

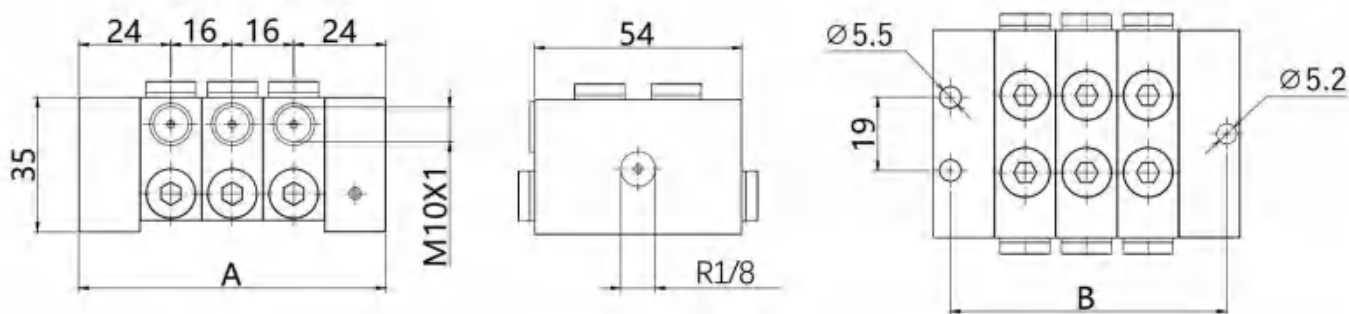


- | | |
|-----------------|---|
| 1 — 分配器首块 | 1 — First element |
| 2 — 分配器中间片 | 2 — Divider element |
| 3 — 分配器尾块 | 3 — Tail element |
| 4 — 柱塞 | 4 — Plunger |
| 5 — 垫片 | 5 — Gasket |
| 6 — 堵头 | 6 — Plug |
| 7 — O型圈: 氟橡胶/丁腈 | 7 — O-ring:FKM(-20°C~200°C) /NBR(-40°C~110°C) |
| 8 — 螺杆 | 8 — Bolt |

技术参数 Technical parameters

工作压力 Operating pressure	Max 25 Mpa
润滑剂 Lubricants	Oil 46 to Grease NLGI-2
工作温度 Operating temperature	-40 °C to 110 °C
进口尺寸 Inlet thread	R1/8
出口尺寸 Outlet thread	M10x1
出口数量 Outlets	Max. 20
涂层 Coating	Zinc-Nickel plated

安装尺寸 Dimensions:



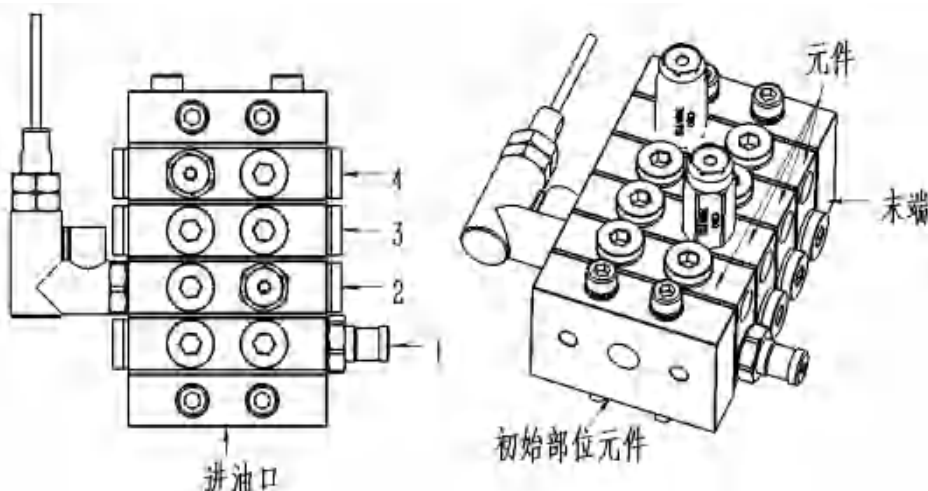
工作片数 Number of work	A(mm)	B(mm)	工作片数 Number of work	A(mm)	B(mm)
3	80	72	7	144	136
4	96	88	8	160	152
5	112	104	9	176	168
6	128	120	10	192	184

注：上表中A、B是理论值，由于分配器累积装配误差的影响，可能会与实物有误差。

Notes:A and B in the above table are theoretical values, which may have errors with real objects due to the influence of cumulative assembly errors of distributors.

工作片规格 Elements specification	标准排量 Discharge (for outlet) (ml/cyc)	最高压力 Max. Pressure	最小启动压力 Min. Pressure	每片出油口数量 Number of oil outlets per piece
VB-05S	0.16	25Mpa	1.4Mpa	1
VB-05T	0.08	25Mpa	1.4Mpa	2
VB-10S	0.32	25Mpa	1.4Mpa	1
VB-10T	0.16	25Mpa	1.4Mpa	2
VB-15S	0.48	25Mpa	1.4Mpa	1
VB-15T	0.24	25Mpa	1.4Mpa	2
VB-20S	0.64	25Mpa	1.4Mpa	1
VB-20T	0.32	25Mpa	1.4Mpa	2

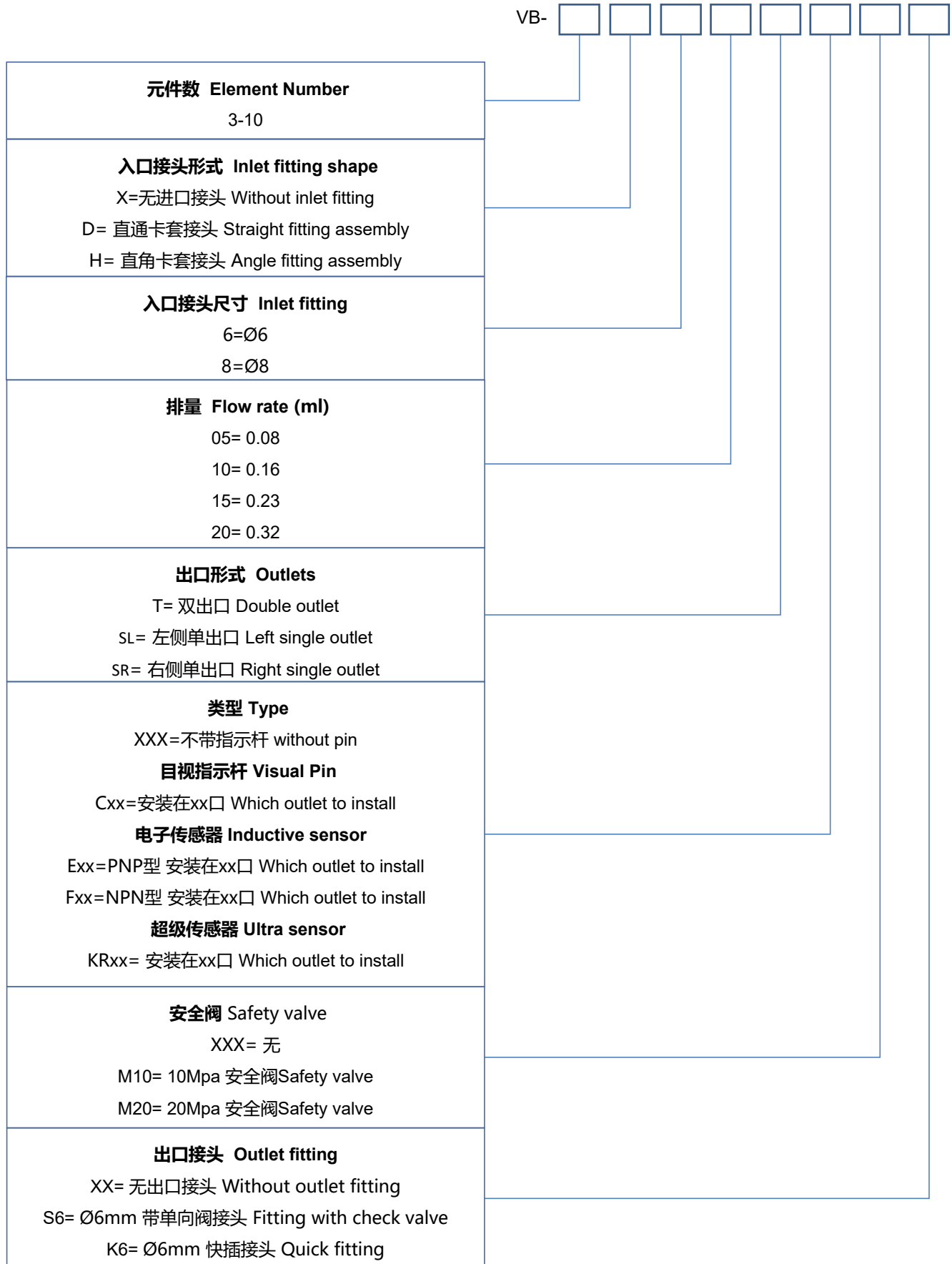
订购说明 Ordering instructions:



注：为区别左右出口，应将设备立放，分配器的元件从上（进油口）进行编号。
 Note: To distinguish between left and right outlets, the equipment should be placed vertically, and the components of the distributor should be numbered from the top (oil inlet).

排量 Flow rate (ml)	出口形式 Outlets	循环控制 Cycle control	压力控制 Pressure control			出油管径 Outlet oil pipe diameter
			类型 Type	压力 Pressure (Mpa)	位置 Location	
05	T 双出口	Exx PNP 电子传感器	M 卸荷式	10	L 左	K4 Ø4 快插式
10	SL 左单	Fxx NPN 电子传感器		20	R 右	K6 Ø6 快插式
15	SR 右单	Cxx 目视指示杆			LR 左右	S4 Ø4 卡套式
20	BL 左桥	KRxx 超级传感器			UL 上方左	S6 Ø6 卡套式
	BR 右桥				UR 上方右	
	BLR 左/右桥				ULR 上方左/右	
	U 上方两者					
	UL 上方左单					
	UR 上方右单					

订购信息 Ordering information:



DXF

分配器

用于润滑油和润滑脂的逐步输送润滑

最大工作压力 - 4350psi (300 bar, 30 MPa)

DXF分配器 DXF distributor

适用于稀油和油脂分配的计量元件，通过递进式柱塞运动将润滑剂输送至每个出油口。外形紧凑而坚固，灵活性高，适合多种应用，小巧的体积，能够在空间狭小的空间动作。

Suitable for measuring element distributor of thin oil and grease, through progressive type plunger movement type lubricant to each of the oil outlet. Appearance is compact and strong, high flexibility, suitable for a variety of applications, small form-factor, narrow space movements in space.

DXF分配器至少由三个元件组成，一个首片，一个中间片和一个尾片组成，可以提供3至24个润滑点的润滑。有多种规格的排量以供选择。每个出油口均可进行并联，实现出油量翻倍增加。

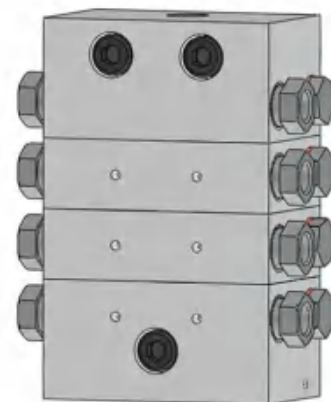
DXF distributor is composed of three elements, at least a first block, a middle block and an Tail block, can provide 3 to 24 lubrication point of lubrication. There are many sizes of displacement to choose from. Each oil outlet can be carried out in parallel, double oil quantity increase.

可以轻松配置机械和电子传感器，为成功润滑提供积极保障。

Mechanical and electronic sensors can be easily configured to provide positive assurance for successful lubrication.

对于需要在紧凑坚硬的空间内精确分配中小型润滑剂量的润滑应用，西索的DXF递进式分配器是非常理想的解决方案。

CISO's DXF progressive distributor is the ideal solution for lubrication applications that require the precise distribution of small and medium lubrication doses in a compact, rigid space.



特性 Characteristics

- 阀体表面采用镀锌镍处理方式，具备优秀的耐腐蚀能力
The surface of the valve body is treated with galvanized nickel, which has excellent corrosion resistance
- 紧凑性使其尤其适合用于有限空间
Compactness makes it particularly suitable for use in confined Spaces
- 可对分配器的工作状态进行实行监控
The working status of distributor can be monitored
- 模块化设计灵活，维护简单
Modular design is flexible and easy to maintain
- 坚固耐用，可在恶劣环境下高效运行
Rugged and efficient operation in harsh environments

应用行业

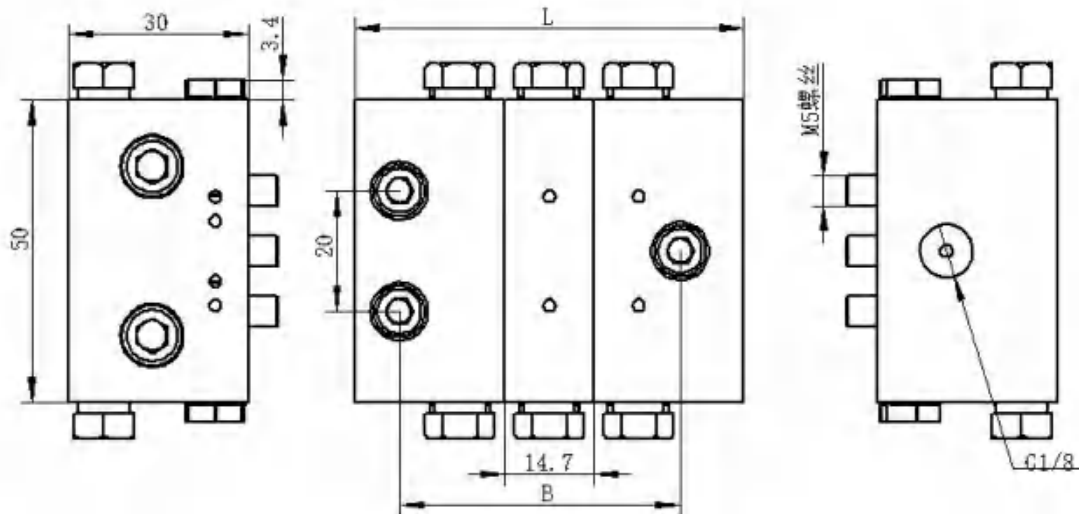
Applications

- 建筑及矿山设备
Construction and mining
- 农业机械
Farm machinery
- 工业设备
Industrial equipment

技术参数 Technical parameters

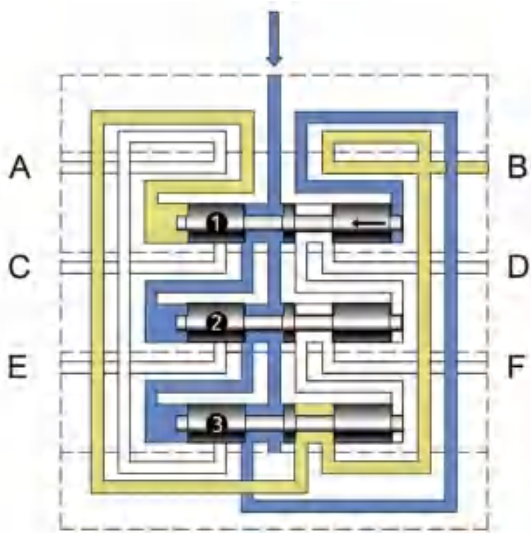
出口数量 Outlets number	Max. 24
每个出油口的排量/行程 Discharge / Stroke for each outlet	0.025ml - 0.045ml - 0.075ml - 0.105ml
最高压力 Max. pressure	30MPa Max.
工作温度 Operating temperature	-20°C ~ +100°C
循环周期 Piston cycles	Max. 300 cyc/min
润滑剂 Lubricants	Oil~NLGI 2#
进口螺纹 Inlet thread	G1/8
出口螺纹 Outlet thread	M10*1
涂层 Coating	镀锌镍 Zinc-nickel

产品尺寸 Dimensions:



工作块片数 Number of work	L(mm)	B(mm)	工作块片数 Number of work	L(mm)	B(mm)
3	64.7	46.7	8	138.2	120.2
4	79.4	61.4	9	152.9	134.9
5	94.1	76.1	10	167.6	149.6
6	108.8	90.8	11	182.3	164.3
7	123.5	105.5	12	197	179

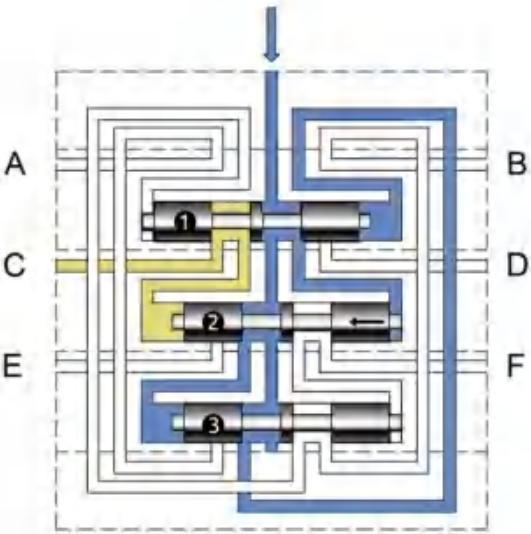
工作原理 Operating principle



1

压力使柱塞1（蓝色）向左移动，推动油脂，使油脂（黄色）从B点排出。

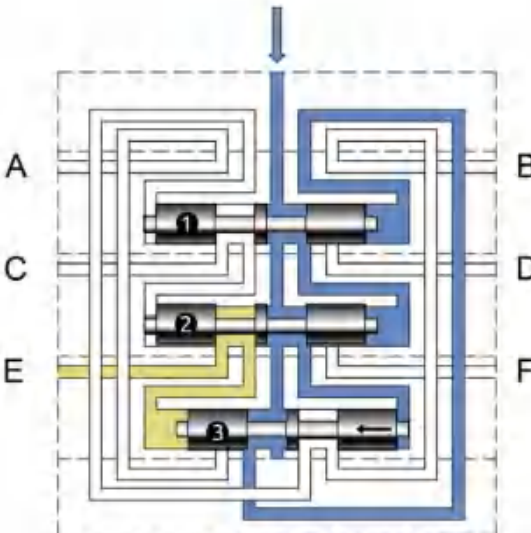
Lubricant flow pressure (blue) moves piston 1 to the left allowing lubricant discharge (yellow) from B.



2

当柱塞1达到极限时，油脂在压力（蓝色）的作用下涌于柱塞2，油脂（黄色）从C点排出。

When piston 1 reaches its limit, lubricant flow pressure (blue) operates on piston 2. Lubricant volume (yellow) discharge from C.

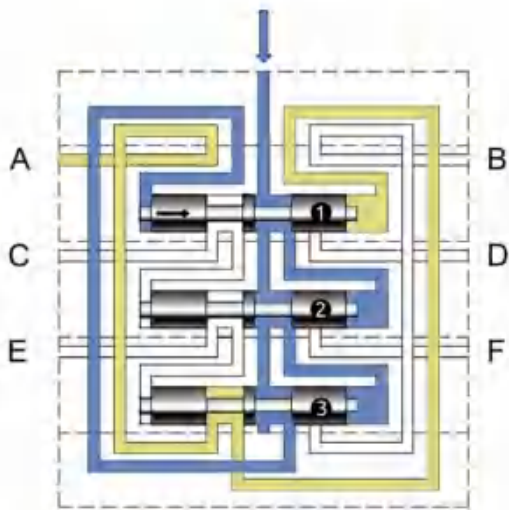


3

当柱塞2达到极限时，压力（蓝色）涌向柱塞3。油脂（黄色）从E点排出。

When piston 2 reaches its limit, lubricant flow pressure (blue) operates on piston 3. Lubricant volume (yellow) discharge from E.

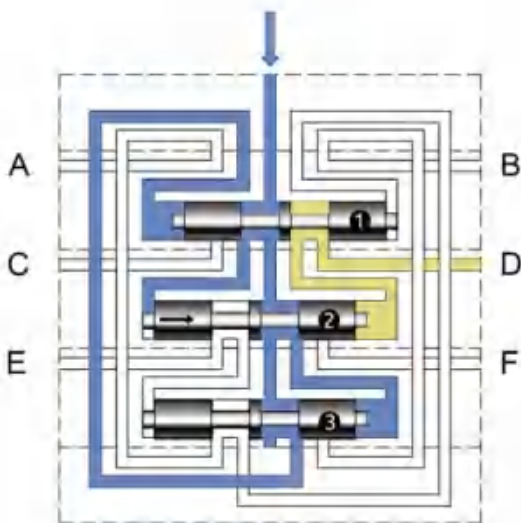
4



当柱塞3达到极限时，压力（蓝色）涌向柱塞1。油脂（黄色）从A点排出。

When piston 3 reaches its limit, lubricant flow pressure (blue) operates on piston 1. Lubricant volume (yellow) discharge from A.

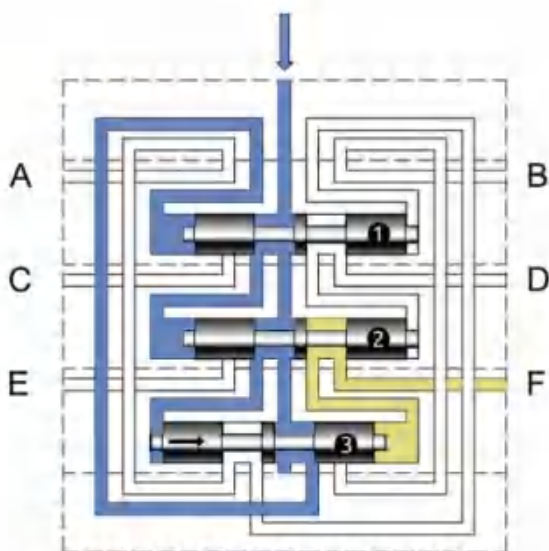
5



当柱塞1达到极限时，油脂在压力（蓝色）的作用下涌于柱塞2，油脂（黄色）从D点排出。

When piston 1 reaches its limit, lubricant flow pressure (blue) operates on piston 2. Lubricant volume (yellow) discharge from D.

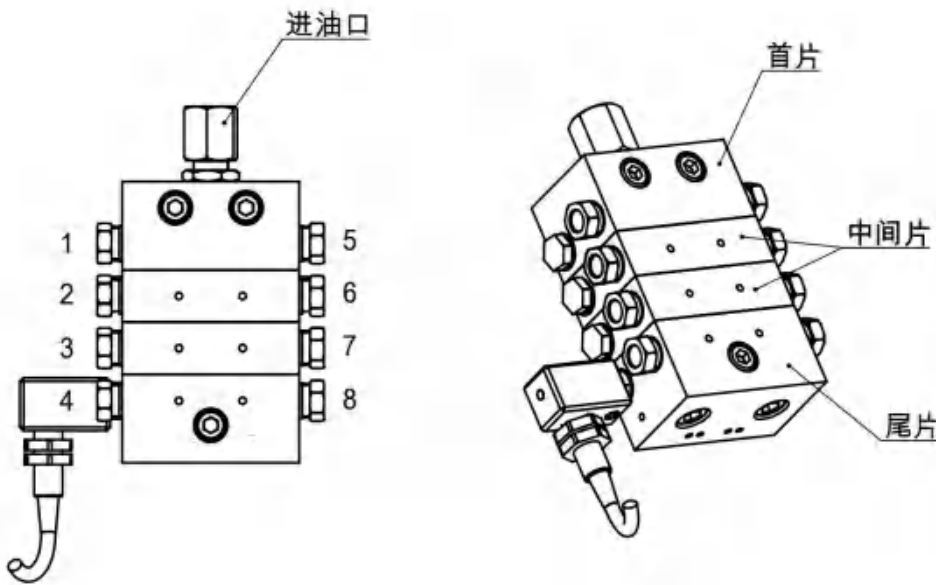
6



当柱塞2达到极限时，压力（蓝色）涌向柱塞3。油脂（黄色）从F点排出。系统准备进入新的循环。

When piston 2 reaches its limit, lubricant flow pressure (blue) operates on piston 3. Lubricant volume (yellow) discharge from F. The system is ready for a new cycle.

订购说明 Ordering instructions:



注：为区别左右出口，应将设备立放，分配器的元件从上（进油口）进行编号。
 Note: To distinguish between left and right outlets, the equipment should be placed vertically, and the components of the distributor should be numbered from the top (oil inlet).

排量 Flow rate (ml)	出口并联形式 Outlets	循环控制 Cycle control	出油管径 Outlet oil pipe diameter
25	BL 左桥	Exx PNP 电子传感器	K4 Ø4 快插式
45	BR 右桥	Fxx NPN 电子传感器	K6 Ø6 快插式
75	BLR 左/右桥	Cxx 目视指示杆	S4 Ø4 卡套式
105		KRxx 超级传感器	S6 Ø6 卡套式

标准工作块订购信息 Standard blocks ordering information

排量 Discharge	首块 First block	中间块 Middle block	尾块 Tail block
0.025ml/cyc	4F025	4M025	4T025
0.045ml/cyc	4F045	4M045	4T045
0.075ml/cyc	4F075	4M075	4T075
0.105ml/cyc	4F105	4M105	4T105

带目视指示杆 With Visual Pin

排量 Discharge	首块 First block	中间块 Middle block	尾块 Tail block
0.045ml/cyc	4F045-V	4M045-V	4T045-V
0.075ml/cyc	4F075-V	4M075-V	4T075-V
0.105ml/cyc	4F105-V	4M105-V	4T105-V

带PNP电子传感器 With PNP Inductive sensor

排量 Discharge	首块 First block	中间块 Middle block	尾块 Tail block
0.045ml/cyc	4F045-E	4M045-E	4T045-E
0.075ml/cyc	4F075-E	4M075-E	4T075-E
0.105ml/cyc	4F105-E	4M105-E	4T105-E

带NPN电子传感器 With NPN Inductive sensor

排量 Discharge	首块 First block	中间块 Middle block	尾块 Tail block
0.045ml/cyc	4F045-F	4M045-F	4T045-F
0.075ml/cyc	4F075-F	4M075-F	4T075-F
0.105ml/cyc	4F105-F	4M105-F	4T105-F

整组分配器订购信息:

Ordering information:

DXF -	5	D	8	25/75*3/25	xxx	S6
-------	---	---	---	------------	-----	----

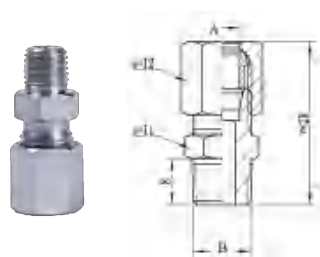
<p>元件数 Element Number</p> <p>3-12</p> <p>(包含首尾块 Contains first and tail blocks)</p>
<p>入口接头形式 Inlet fitting shape</p> <p>X=无进口接头 Without inlet fitting</p> <p>D= 直通卡套接头 Straight fitting assembly</p> <p>H= 直角卡套接头 Angle fitting assembly</p>
<p>入口接头尺寸 Inlet fitting</p> <p>6=Ø6</p> <p>8=Ø8</p>
<p>排量 Flow rate (ml)</p> <p>25= 0.025</p> <p>45= 0.045</p> <p>75= 0.075</p> <p>105= 0.105</p>
<p>类型 Type</p> <p>XXX=不带指示杆 without pin</p> <p>目视指示杆 Visual Pin</p> <p>Vxx=安装在xx口 Which outlet to install</p> <p>电子传感器 Inductive sensor</p> <p>Exx=PNP 安装在xx口 Which outlet to install</p> <p>Fxx=NPN 安装在xx口 Which outlet to install</p>
<p>出口接头 Outlet fitting</p> <p>XX= 不带出口接头 Without outlet fitting</p> <p>S6= Ø6mm 带单向阀接头 Fitting with check valve</p> <p>K6= Ø6mm 快插接头 Quick Fitting</p> <p>D6= Ø6mm 卡套接头 Ferrule fitting</p> <p>M6=Ø6mm 双锥卡套和套管帽 Sleeve pipe and nut</p>

工作片安装螺栓 Tie-rods Ordering information :

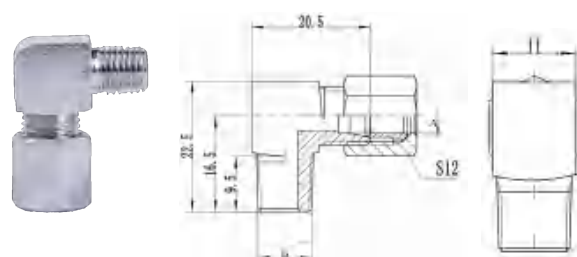
工作块片数 Number of work	长度 (mm) length(mm)	订购信息 Ordering information	工作块片数 Number of work	长度 (mm) length(mm)	订购信息 Ordering information
3	45	B3103	8	115	B3108
4	60	B3104	9	130	B3109
5	75	B3105	10	145	B3110
6	85	B3106	11	160	B3111
7	100	B3107	12	175	B3112

入口接头 Inlet fittings:

直通卡套接头 Straight fitting assembly

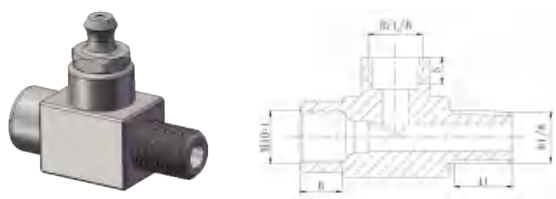


直角卡套接头 Angle fitting assembly



型号 Part number	A	B	材质 Material	型号 Part number	A	B	材质 Material
5DM0802	Ø8	R1/8	碳钢镀白锌 Zinc plated	5HM0802	Ø8	R1/8	碳钢镀白锌 Zinc plated
5DM0602	Ø6	R1/8	碳钢镀白锌 Zinc plated	5HM0602	Ø6	R1/8	碳钢镀白锌 Zinc plated
5DM0402	Ø4	R1/8	碳钢镀白锌 Zinc plated	5HM0402	Ø4	R1/8	碳钢镀白锌 Zinc plated

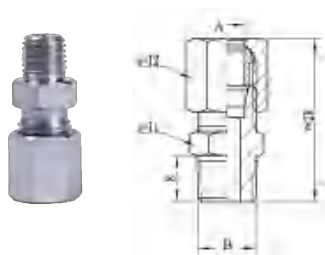
三通接头 with grease nipple inlet assembly:



型号 Part number	内螺纹 Thread F	内螺纹 Thread F	外螺纹 Thread M
3T100202	M10x1	R1/8	R1/8

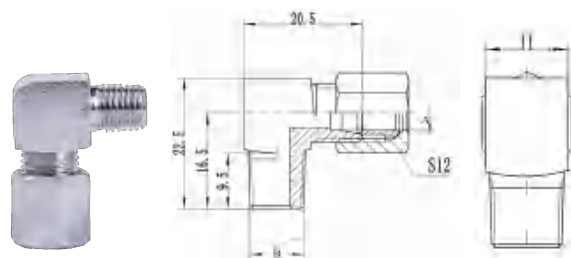
出口接头 Outlet fittings:

直通卡套接头 Straight fitting assembly



型号 Part number	A	B	材质 Material
5DM0410	Ø4	M10*1	碳钢镀白锌 Zinc plated
5DM0610	Ø6	M10*1	碳钢镀白锌 Zinc plated

直角卡套接头 Angle fitting assembly



型号 Part number	A	B	材质 Material
5HM0410	Ø4	M10*1	碳钢镀白锌 Zinc plated
5HM0610	Ø6	M10*1	碳钢镀白锌 Zinc plated

直通卡套接头 带单向阀
Straight fitting with check valve



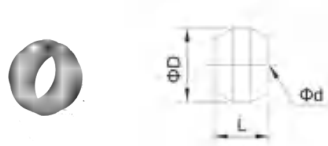
型号 Part number	管径 OD	螺纹 Thread	材质 Material
S13-06	Ø6	M10*1	碳钢镀锌镍 Nickel plated

出油口堵头 Outlet plug



型号 Part number	螺纹 Thread	材质 Material
5PG10	M10*1	碳钢镀锌镍 Nickel plated

套管 Sleeve pipe



型号 Part number	OD	Ød	ØD	L
3B06	6	6.1	8	5

套管帽 Sleeve pipe cap



型号 Part number	OD	螺纹 Thread
3C10	Ø6	M10*1

可调向接头 Adjustable fitting



型号 Part number	OD	外螺纹 Thread M	材质 Material
5B0410	Ø4	M10*1	碳钢镀锌镍 Nickel plated
5B0610	Ø6	M10*1	

可调向接头 Adjustable fitting



型号 Part number	管径 OD	外螺纹 Thread M	材质 Material
BN0610	Ø6	M10*1	碳钢镀锌镍 Nickel plated

螺母 Nuts



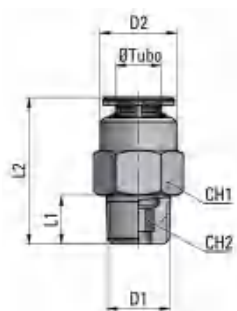
型号 Part number	螺纹 Thread	管子外径D TUBE O.D.	压力等级 MPa
NLL-08	M8*1	Ø4	超轻系列 Super light series LL
NLL-10	M10*1	Ø6	
NL-14	M14*1.5	Ø8	轻系列 Light series L
NL-16	M16*1.5	Ø10	

卡套 Ferrule



型号 Part number	管子外径D TUBE O.D.	压力等级 MPa
RLL-04	Ø4	超轻系列 Super light series LL
RLL-06	Ø6	
RL-08	Ø8	轻系列 Light series L
RL-10	Ø10	

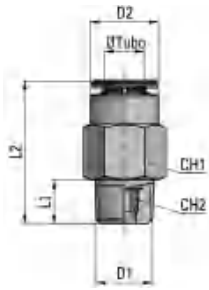
MP11 直通快插 Taper Straight, Male 中压10Mpa



型号 Part number	管径 OD	D1	D2	L1	L2
MP1104M10	Ø4	M10*1.0	9	8	20
MP1106M10	Ø6	M10*1.0	12	8	22

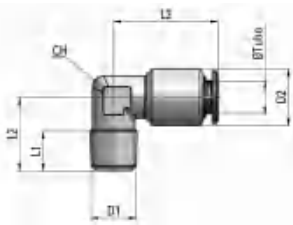
DXF分配器

HP11 直通快插 Taper Straight, Male 高压25Mpa



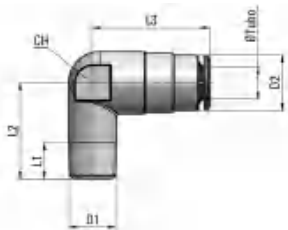
型号 Part number	管径 OD	D1	D2	L1	L2
HP1104M10	Ø4	M10*1.0	9.5	8	22.5
HP1106M10	Ø6	M10*1.0	11.5	8	24.5

MP14 - 直角快插 Taper Elbow Fitting, Male 10Mpa



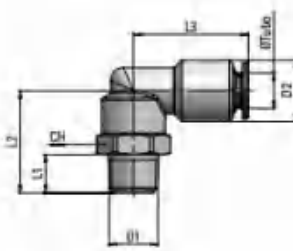
型号 Part number	管径 OD	D1	D2	L1	L2
MP1404M10	Ø4	M10*1.0	9	8	18
MP1406M10	Ø6	M10*1.0	12	8	18

HP14 - 直角快插 Taper Elbow Fitting, Male 25Mpa



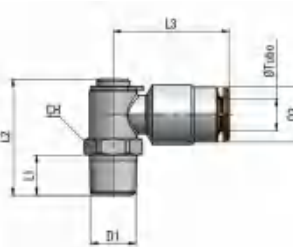
型号 Part number	管径 OD	D1	D2	L1	L2
HP1404M10	Ø4	M10*1.0	9.5	8	18
HP1406M10	Ø6	M10*1.0	11.5	8	21

MP15 - 直角快插 可旋转接头 Taper Elbow Fitting, Male, Rotatable 10Mpa



型号 Part number	管径 OD	D1	D2	L1	L2
MP1504M10	Ø4	M10*1.0	9	8	20.5
MP1506M10	Ø6	M10*1.0	12	8	21.5

HP18 - 直角快插 可旋转接头 Taper Elbow Fitting, Male, Rotatable 25Mpa



型号 Part number	管径 OD	D1	D2	L1	L2
HP1804M10	Ø4	M10*1	9.5	8	22
HP1806M10	Ø6	M10*1	11.5	8	24

VSP

分配器

VSP 模块化分配器
排量精准

最大压力 25Mpa



VSP模块化递进分配阀

VSP modular distributor valve

西索VSP 模块化分配阀能够保证精确的润滑，并且适用于各种苛刻工况，是一款完美的润滑剂分配解决方案

VSP modular distributor valve can ensure accurate lubrication, and is suitable for all kinds of harsh conditions, is a perfect lubricant distributor solution

分配器分为两个主要部件：

- 底板 (至少由三个元件构成)
- 分配阀 (有单出口和双出口版本)。

The divider consists of two main parts:

- THE BASE (consisting of a minimum of three elements)
- THE METERING VALVES (available with both a single outlet as well as a double one)

为了最大化设备的性能，可以使用电子监控元件来检测系统是否发生故障或受阻。

To maximize the performance of the plant, it is crucial to use electrical monitoring elements that detect malfunctioning or system blockage.

由于系统具有良好的模块化性质，因此能够很方便地进行扩展，更改分配器元件时也不需要拆解润滑管路，确保了更快的相应速度和更低的维护成本。分配器的模块化能够根据设备的需要对润滑点进行分组。

Thanks to its modularity, the system can be easily expanded and replacement of metering elements can occur without removing the pipework, thereby guaranteeing low maintenance costs. The modularity of the dividers furthermore allows you to bundle lubrication points according to system requirements.

典型应用：

汽车、工业设备、风电、工程机械等

Typical applications: automobile, industrial equipment, wind power, construction machinery, etc

模块式整体提供、为客户节约装配时间

Modular overall supply, save assembly time for customers

可以选配材质为不锈钢材质的分配阀

Stainless steel is available



特性 Characteristics

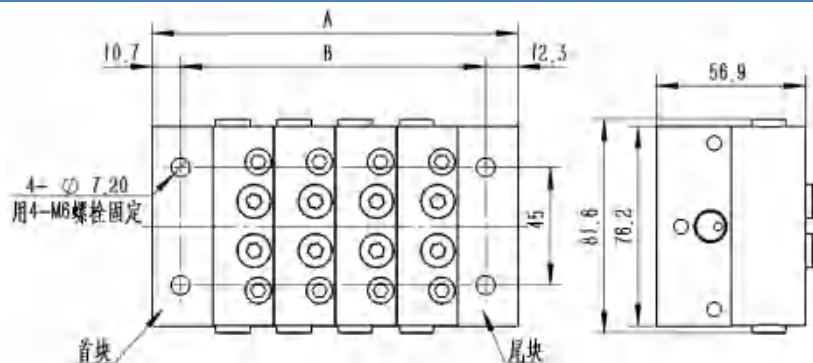
- 三种螺纹可选: R, NPT, BSPP
Three kinds of thread are available: R, NPT, BSPP
- 采用了碳钢镀锌镍材料, 具备优秀的耐腐蚀能力
Nickel-plated steel Stainless steel, AISI 316L
- 适用于润滑油或2号以下等级润滑脂
Oil-NLGI 2
- 密封采用FKM材质
FKM O RING
- CE认证
CE certification

基本技术参数 Technical parameters

最大工作压力 Max. Pressure	241 Bar, 3500 psi
标准排量 Discharge (for outlet)	0.08--1.3ml/cyc
润滑剂 Lubricants	Oil 32 CST— NLGI 2
工作环境温度 Operating temperature	- 30°C~+150°C
带循环指示器最大循环速度 Max. cycle speed with cycle indicator	60cyc/min
每组分配阀可供润滑点数 Number of lubricating points available	3-16
进口螺纹 Intlet thread	G1/4
出口螺纹 Outlet thread	G1/8

VSP分配器 VSP distributor

安装尺寸 Dimensions:



工作片数 Number of work	A(mm)	B(mm)	工作片数 Number of work	A(mm)	B(mm)
3	116.8	91.4	6	188	160
4	127	114.3	7	210.8	185.4
5	162.6	137.2	8	233.7	208.3

注：上表中A、B是理论值，由于分配器累积装配误差的影响，可能会与实物有误差。

Note: A and B in the above table are theoretical values, which may have errors with real objects due to the influence of cumulative assembly errors of distributors.

订购信息 Ordering information:

VSP底板型号 VSP block model

包含进口、中间块、尾块、连接杆和螺母

Comprising an inlet, a middle block, a tail block, a connecting rod and a nut

项目 Ref	最大出口数量 Maximum export quantity	阀块数量 Number of Sections	型号 Model		尺寸 (仅供参考) Dimensions (for reference only)	
			R Thread	G Thread	A	B
2/3/4/5/6	6	3	56R03	56G03	4.6in (116.8mm)	3.6in (91.4mm)
	8	4	56R04	56G04	5.0in (127.0mm)	4.5in (114.3mm)
	10	5	56R05	56G05	6.4in (162.6mm)	5.4in (137.2mm)
	12	6	56R06	56G06	7.4in (188.0mm)	6.3in (160.0mm)
	14	7	56R07	56G07	8.3in (210.8mm)	7.3in (185.4mm)
	16	8	56R08	56G08	9.2in (233.7mm)	8.2in (208.3mm)

如需订购316L不锈钢材质，请在订购号加后缀-SS

To order 316L stainless steel, please add suffix -SS to the order number

VSP分配阀型号 Model of VSP distributor valve

VSP阀工作阀块 (必须以5的倍数订购)

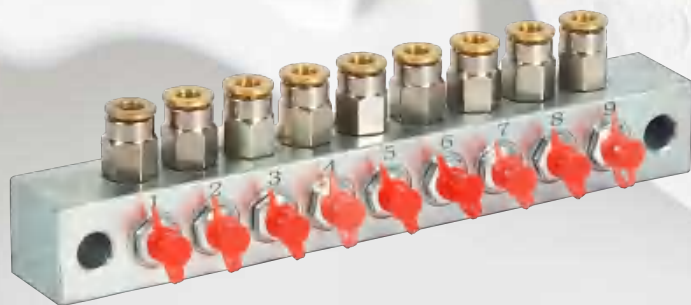
Working valve block of VSP valve (must be ordered in multiples of 5)

项目 Ref	出口 out	说明 Description	每个出口的输出量, in ³ (cm ³)	型号 Model		
				标准阀块 Standard valve block	带循环销 - 右 With circulating pin-right	带循环销 - 左 With circulating pin-left
1	单 Single	VSP-5S	0.010(0.16)	61911	不适用 Not applicable	
		VSP-10S	0.020(0.33)	61912		
		VSP-15S	0.030(0.49)	61913		
		VSP-20S	0.040(0.66)	61914	61914RD	61914LD
		VSP-25S	0.050(0.82)	61915	61915RD	61915LD
		VSP-30S	0.060(0.98)	61916	61916RD	61916LD
		VSP-35S	0.070(1.15)	61917	61917RD	61917LD
		VSP-40S	0.080(1.31)	61918	61918RD	61918LD
	双 Twins	VSP-5T	0.005(0.08)	61919	不适用 Not applicable	
		VSP-10T	0.010(0.16)	61920		
		VSP-15T	0.015(0.26)	61921		
		VSP-20T	0.020(0.33)	61922	61922RD	61922LD
		VSP-25T	0.025(0.41)	61923	61923RD	61923LD
		VSP-30T	0.030(0.49)	61924	61924RD	61924LD
		VSP-35T	0.035(0.57)	61925	61925RD	61925LD
		VSP-40T	0.040(0.66)	61926	61926RD	61926LD

<p>元件数 Element Number</p> <p>3-11</p>	<p>VSP- <input type="checkbox"/> <input type="checkbox"/> <input type="checkbox"/> <input type="checkbox"/> <input type="checkbox"/></p>
<p>排量 Flow rate (cm³)</p> <p><i>单出口 Single 双出口 Twins</i></p> <p>5S= 0.16 5T=0.08</p> <p>10S= 0.33 10T=0.16</p> <p>15S= 0.49 15T=0.26</p> <p>20S= 0.66 20T=0.33</p> <p>25S=0.82 25T=0.41</p> <p>30S=0.98 30T=0.49</p> <p>35S=1.15 35T=0.57</p> <p>40S=1.31 40T=0.66</p>	
<p>工作阀块出口形式 Working valve block outlets</p> <p>T= 双出口 Twins outlets</p> <p>SL= 左侧单出口 Left single outlet</p> <p>SR= 右侧单出口 Right single outlet</p>	
<p>进口接头 Inlet Connetor</p> <p>X= 不带进口接头 Without inlet fitting</p> <p>6=Ø6 8=Ø8</p> <p>10=Ø10 12=Ø12</p>	
<p>出口接头 Outlet Connetor</p> <p>XX= 不带出口接头 Without outlet fitting</p> <p>D6= Ø6mm 卡套接头 Ferrule fitting</p> <p>K6= Ø6mm 快插接头 Quick Fitting</p> <p>D8= Ø8mm 卡套接头 Ferrule fitting</p> <p>K8= Ø8mm 快插接头 Quick Fitting</p>	
<p>类型 Type</p> <p>XX = 无配置 No settings</p> <p>循环销 Cycle Control</p> <p>RD = 右侧带循环销 (5, 10, 15 不适用)</p> <p>With circulating pin-right (5, 10, 15 N/A)</p> <p>LD = 左侧带循环销 (5, 10, 15 不适用)</p> <p>With circulating pin-left (5, 10, 15 N/A)</p> <p>电子传感器 Proximity sensor</p> <p>ULP= PNP 电子传感器 /左侧 Proximity sensor /Left</p> <p>ULN= NPN 电子传感器 /左侧 Proximity sensor /Left</p> <p>URP= PNP 电子传感器 /右侧 Proximity sensor /Right</p> <p>URN= NPN 电子传感器 /右侧 Proximity sensor /Right</p>	

VSD

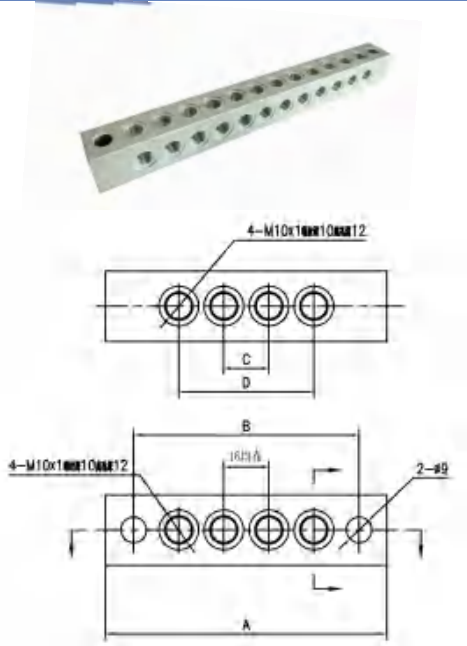
手动分油块



VSD分油块 VSD distributor Block

VSD分油块 VSD distributor Block

规格型号及技术参数 Specifications and technical parameters



型号 Part number	出口 Outlet Thread	出口数 Outlets	A	B	C	D
VSD-04KT	M10*1	4	100	80	16	48
VSD-06KT	M10*1	6	132	112	16	48
VSD-09KT	M10*1	9	180	128	16	48
VSD-12KT	M10*1	12	228	208	16	48

* 可以按照客户的要求定制非标手动润滑分油块，也可以集成黄油嘴及快插接头、输油软管的整套方案。

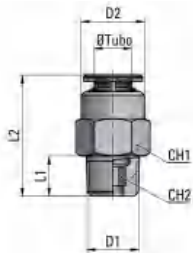
详细方案可向您的销售经理咨询。

Can be customized according to customer requirements non-standard VSD distribution block, can also integrate Grease nipples and Push-in fitting, Flexible pipe.

Contact your sales manager for details.

直通快插接头 Straight push-in fitting

直通卡套接头 Straight fitting assembly



型号 Part number	管径 OD	D1	D2	L1	L2	型号 Part number	管径 OD	螺纹 Thread	材质 Material
MP1104M10	Ø4	M10*1.0	9	8	20	5DM0410	Ø4	M10*1	碳钢镀锌镍 Zinc-nickel plated
MP1106M10	Ø6	M10*1.0	12	8	22	5DM0610	Ø6	M10*1	

黄油嘴 Grease Nipples



型号 Part number	型号 Part number	材质 Material
3NP10	M10*1	Nickel plated



SIMPLE SOLUTIONS to PRECISE LUBRICATION



前端补脂枪套件 Follow plate ang grease gun kits:



名称 Description	型号 Part number	油脂接头 Grease fitting
补脂枪 套件 Grease Gun Kits	MG500	普通接头 Standard Connector
补脂枪 套件 Grease Gun Kits	MG500-C	带止回阀接头 Grease fitting with check valve



名称 Description	型号 Part number	适用油桶 Oil drum
压油盘 Follower Plate	95660C	16KG

泵元件 & 润滑系统附件 Electric lubrication pump accessories:

泵出口组件 Pump outlet assembly

快速补脂接头 Grease filling connector



型号 Part number	描述 Description	卸荷压力 Pressure	OD	型号 Part number	描述 Description	螺纹 Thread
80532PG	带压力表 With pressure gauge	16MPa	6mm	80220	公头 Male connector	R1/4
80532PG-8			8mm			
80532	不带压力表 Without pressure gauge		6mm	80221	母头 Female connector	R1/4
80532-8			8mm			
80533PG	带压力表 With pressure gauge	40MPa	6mm			
80533PG-8			8mm			
80533	不带压力表 Without pressure gauge		6mm			
80533-8			8mm			

GT 柱塞副 GT Pumping Element



型号 Part number	外径 OD	流量 Rated flow
80536	6mm	K6; 4ml/min
80537	7mm	K7; 5ml/min

GM 柱塞副 GM Pumping Element



型号 Part number	外径 OD	流量 Rated flow
88535	5mm	P5; 3.3ml/min
88536	6mm	P6; 4ml/min

安全阀 Safety valve



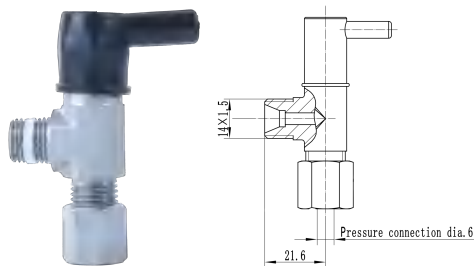
型号 Part number	压力 Pressure	外螺纹 Male thread
5FI05	207bar/3000psi	M10*1

安全阀 Safety valve



型号 Part number	描述 Description	外螺纹 Male thread
5FI07	275bar/4000psi	NPT1/8

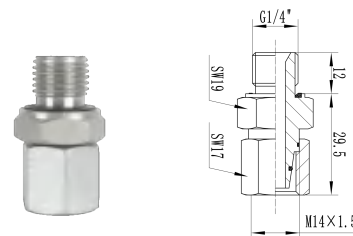
安全阀 Safety valve



型号 Part number	管径 OD	外螺纹 Male thread	压力 Pressure
5FJ01	φ6	M14*1.5	345bar/5000psi

直通接头
Straight fitting assembly

配合5FJ01使用
Use with 5FJ01



型号 Part number	内螺纹 Female thread	外螺纹 Male thread	材质 Material
5G1404	M14*1.5	G1/4 ED	碳钢镀锌镍 Zinc plated

控制器防护罩 Controller shield



描述 Description	型号 Part number	类型 Type
PC	97116	适配GT/GW
PC	97117	适配GM

泵安装支架 Mounting bracket



描述 Description	型号 Part number	类型 Type
泵安装支架 Mounting bracket	90234	适配GT/GW
	90235	适配GM

手动运行按钮（绿色指示灯）
Button with green lamp



描述 Description	型号 Part number
12V	90212
24V	90224

压力开关 Pressure switch



描述 Description	型号 Part number
可调整型 Adjustable Type	91346
压力固定 - 20MPa Pressure fixation	96520
压力固定 - 25MPa Pressure fixation	96521
压力固定 - 3.5MPa Pressure fixation	96522

用于快速补脂的油脂包 Cartridge



描述 Description	型号 Part number	容积 Reservoir
油脂包 Cartridge	CSL-J100	700CC
	CSL-C100	700CC

直通卡套接头 带锥度密封/带止回阀
Straight fitting with check valve 25Mpa



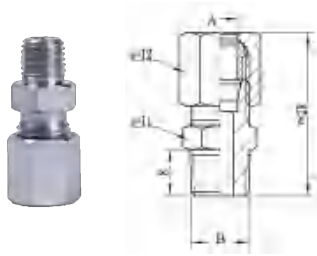
型号 Part number	管径 OD	螺纹 Thread	材质 Material
5CM0610	Ø6	M10*1	碳钢镀锌镍 Zinc-nickel plated steel

直通过接头 带锥度密封/带止回阀
Straight fitting with check valve



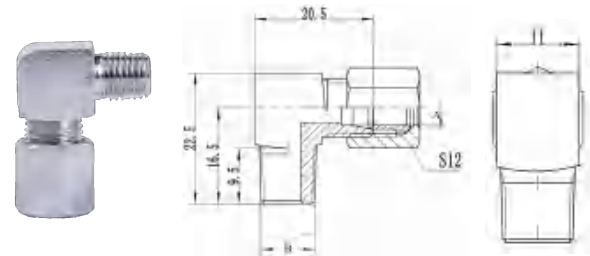
型号 Part number	内螺纹 F.Thread	外螺纹 M.Thread	材质 Material
5DC10	M10*1	M10*1	碳钢镀锌镍 Zinc-nickel plated steel

直通卡套接头 Straight fitting assembly



型号 Part number	A	B	材质 Material
5DM0602	Ø6	R1/8	碳钢镀白锌 Zinc plated
5DM0610	Ø6	M10*1	碳钢镀白锌 Zinc plated
5DM0608	Ø6	M8*1	碳钢镀白锌 Zinc plated
5DM0606	Ø6	M6*1	碳钢镀白锌 Zinc plated
5DM0402	Ø4	R1/8	碳钢镀白锌 Zinc plated
5DM0410	Ø4	M10*1	碳钢镀白锌 Zinc plated
5DM0408	Ø4	M8*1	碳钢镀白锌 Zinc plated
5DM0406	Ø4	M6*1	碳钢镀白锌 Zinc plated

直角卡套接头 Angle fitting assembly



型号 Part number	A	B	材质 Material
5HM0602	Ø6	R1/8	碳钢镀白锌 Zinc plated
5HM0610	Ø6	M10*1	碳钢镀白锌 Zinc plated
5HM0608	Ø6	M8*1	碳钢镀白锌 Zinc plated
5HM0606	Ø6	M6*1	碳钢镀白锌 Zinc plated
5HM0402	Ø4	R1/8	碳钢镀白锌 Zinc plated
5HM0410	Ø4	M10*1	碳钢镀白锌 Zinc plated
5HM0408	Ø4	M8*1	碳钢镀白锌 Zinc plated
5HM0406	Ø4	M6*1	碳钢镀白锌 Zinc plated

润滑系统配件 Lubrication parts

直通快插接头 带锥度密封/带止回阀
Push-in Fittings with check valve 25Mpa



直通快插接头 带锥度密封
Push-in Fittings 25Mpa



型号 Part number	管径 OD	螺纹 Thread	材质 Material
FP1104M10	Ø4	M10*1	碳钢镀锌镍 Zinc-nickel plated steel
FP1106M10	Ø6	M10*1	

型号 Part number	管径 OD	螺纹 Thread	材质 Material
HPQ1106M10	Ø6	M10*1	碳钢镀锌镍 Zinc-nickel plated steel

直通卡套接头 Straight fitting assembly



直通卡套接头 带止回阀
Straight fitting with check valve



型号 Part number	管径 OD	螺纹 Thread	材质 Material
5PM0602	Ø6	NPT1/8	碳钢镀锌镍 Zinc-nickel plated steel

型号 Part number	管径 OD	螺纹 Thread	材质 Material
S13-06	Ø6	M10*1	碳钢镀锌镍 Zinc-nickel plated steel

直通接头 Straight fitting



直角卡套接头 Angle fitting assembly



型号 Part number	内螺纹 Thread	外螺纹 Thread	材质 Material	L
5GN02	NPT1/8	NPT1/8	碳钢镀锌镍 Zinc-nickel plated steel	27
5G0202	NPT1/8	NPT1/8		19

型号 Part number	管径 OD	螺纹 Thread	材质 Material
5NM0602	Ø6	NPT1/8	碳钢镀锌镍 Zinc-nickel plated steel

直通卡套接头 Straight fitting

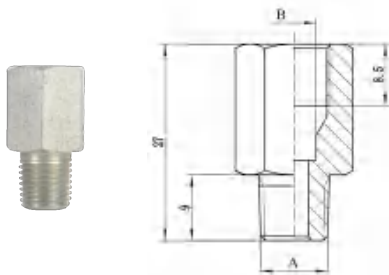


可调向接头 Adjustable fitting



型号 Part number	管径 OD	内螺纹 Thread F	材质 Material	型号 Part number	管径 OD	外螺纹 Thread M	材质 Material
5SF0610	Ø6	M10*1	碳钢镀白锌 Zinc plated	BN0610	Ø6	M10*1	碳钢镀锌镍 Zinc-nickel plated

直通转换接头 Straight-through fitting



可调向接头 Adjustable fitting



型号 Part number	外螺纹 Thread M	内螺纹 Thread F	材质 Material	型号 Part number	OD	外螺纹 Thread M	描述 Description
5G0210	R1/8	M10*1	碳钢镀锌镍 Zinc-nickel plated steel	5B0410	Ø4	M10*1	进出油口连接 Inlet and outlet connector
5G0808	M8*1	M8*1		5B0610	Ø6	M10*1	
5G0404	R1/4	R1/4		5B0408	Ø4	M8*1.0	终端连接 End connector
5G1010	M10*1	M10*1		5B0406	Ø4	M6*1.0	

BANJO with grease nipple inlet assembly:



型号 Part number	外螺纹 Thread M
31M10	M10x1
31M18	G1/8

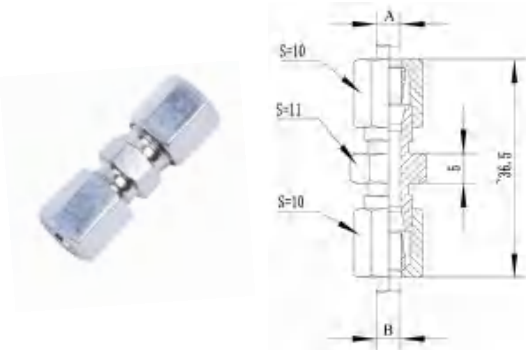
铰接接头 BANJO



型号 Part number	管径 OD	外螺纹 Thread M	材质 Material
5C0602	Ø6	R1/8	碳钢镀锌彩 Zinc Color-plated
5C0610	Ø6	M10*1	

双卡套直通接头

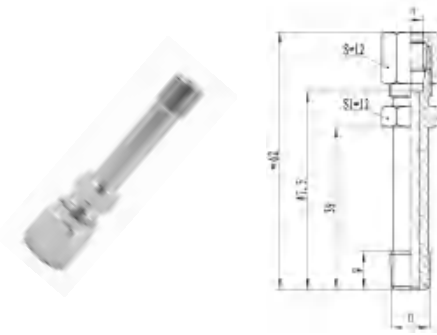
Straight tube-to-tube connectors



型号 Part number	A	B	材质 Material
5D0404	Ø4	Ø4	碳钢镀白锌 Zinc plated
5D0406	Ø4	Ø6	碳钢镀白锌 Zinc plated
5D0606	Ø6	Ø6	碳钢镀白锌 Zinc plated
5D0608	Ø6	Ø8	碳钢镀白锌 Zinc plated
5D0808	Ø8	Ø8	碳钢镀白锌 Zinc plated

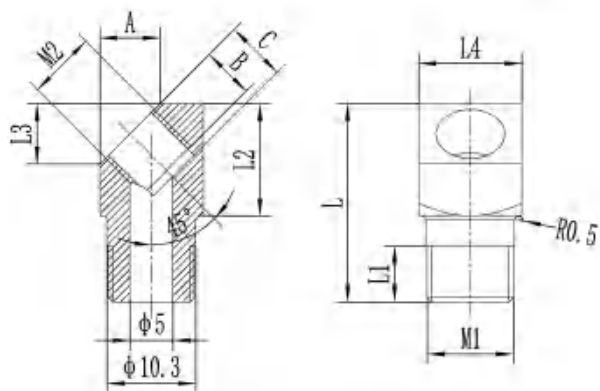
加长管件总成

Extension fitting assembly



型号 Part number	A	B	材质 Material
5KM0602	Ø6	R1/8	碳钢镀白锌 Zinc plated
5KM0610	Ø6	M10*1	碳钢镀白锌 Zinc plated
5KM0608	Ø6	M8*1	碳钢镀白锌 Zinc plated
5KM0606	Ø6	M6*1	碳钢镀白锌 Zinc plated
5KM0402	Ø4	R1/8	碳钢镀白锌 Zinc plated
5KM0410	Ø4	M10*1	碳钢镀白锌 Zinc plated
5KM0408	Ø4	M8*1	碳钢镀白锌 Zinc plated
5KM0406	Ø4	M6*1	碳钢镀白锌 Zinc plated

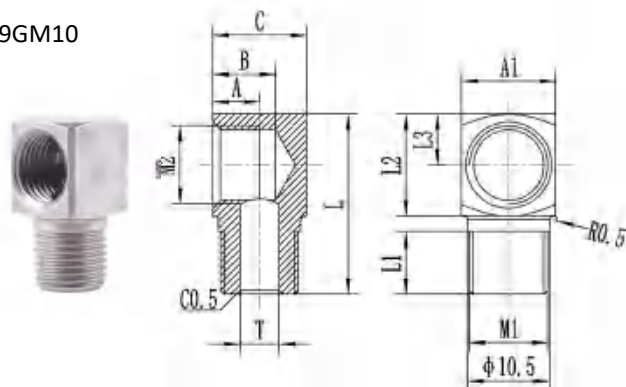
过渡接头 Elbow Connector 45°



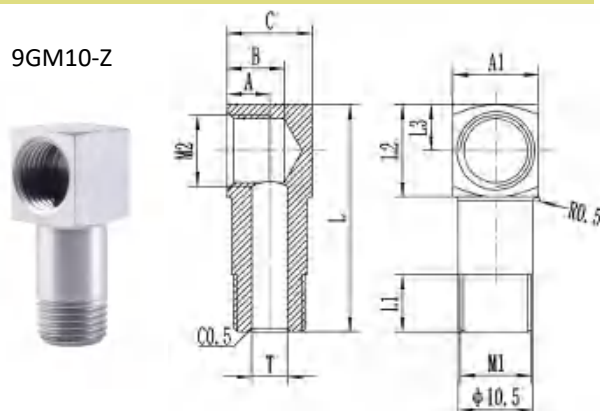
型号 Part number	M1	M2	L	L1	L2	L3	L4	A	B	C
5EM0808	ZM8*1	M8*1	23	6.5	13	7	12	7	6	7
5EM0410	ZM10*1	M8*1	23	6.5	13	7	12	7	6	7
5EM1010	ZM10*1	M10*1	23	6.5	13	7	12	7	6	7
5EM0202	ZG1/8	ZG1/8	23	6.5	13	7	12	7	6	7
5EM0404	ZG1/4	ZG1/4	33	6.5	18	7	12	7	6	7

90°异径弯头接头 Angle Connector 90°

9GM10

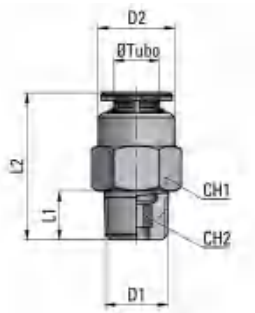


9GM10-Z



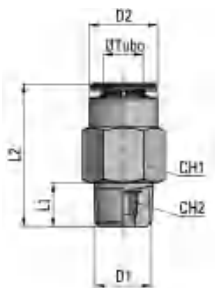
型号 Part number	M1	M2	L	L1	L2	L3	A	B	C	A1
9GM0808	ZM8*1	M8*1	23	8	13	6.5	6	8	12	12
9GM1008	ZM10*1	M8*1	23	8	13	6.5	6	8	12	12
9GM10	ZM10*1	M10*1	23	8	13	6.5	6	8	12	12
9GM10-Z	ZM10*1	M10*1	32	8	13	6.5	6	8	12	12
9GM0202	ZG1/8	ZG1/8	23	8	13	6.5	6	8	12	12
9GM0404	ZG1/4	ZG1/4	33	8	18	6.5	6	8	12	17

MP11 直通快插 Taper Straight, Male 中压10Mpa



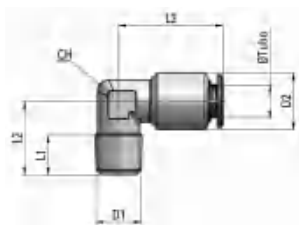
型号 Part number	管径 OD	D1	D2	L1	L2
MP110418	Ø4	R1/8	9	7.5	18.5
MP1104M6	Ø4	M6*1.0	9	8	23
MP1104M8	Ø4	M8*1.0	9	8	20
MP1104M10	Ø4	M10*1.0	9	8	20
MP110618	Ø6	R1/8	12	7.5	21.5
MP1106M6	Ø6	M6*1.0	12	8	25.5
MP1106M8	Ø6	M8*1.0	12	8	25.5
MP1106M10	Ø6	M10*1.0	12	8	22

HP11 直通快插 Taper Straight, Male 高压25Mpa



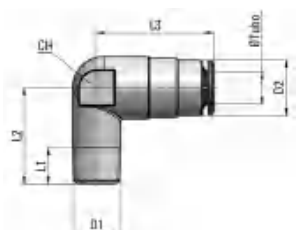
型号 Part number	管径 OD	D1	D2	L1	L2
HP110418	Ø4	R1/8	9.5	7.5	21
HP1104M6	Ø4	M6*1.0	9.5	8	25
HP1104M8	Ø4	M8*1.0	9.5	8	25
HP1104M10	Ø4	M10*1.0	9.5	8	22.5
HP110618	Ø6	R1/8	11.5	7.5	24
HP1106M6	Ø6	M6*1.0	11.5	8	28
HP1106M8	Ø6	M8*1.0	11.5	8	28
HP1106M10	Ø6	M10*1.0	11.5	8	24.5

MP14 - 直角快插 Taper Elbow Fitting, Male 10Mpa



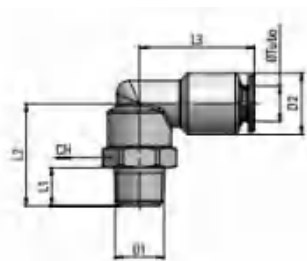
型号 Part number	管径 OD	D1	D2	L1	L2
MP140418	Ø4	R1/8	9	7.5	15.5
MP1404M6	Ø4	M6*1.0	9	8	17
MP1404M8	Ø4	M8*1.0	9	8	17
MP1404M10	Ø4	M10*1.0	9	8	18
MP140618	Ø6	R1/8	12	7.5	15.5
MP1406M6	Ø6	M6*1.0	12	8	17
MP1406M8	Ø6	M8*1.0	12	8	17
MP1406M10	Ø6	M10*1.0	12	8	18

HP14 - 直角快插 Taper Elbow Fitting, Male 25Mpa



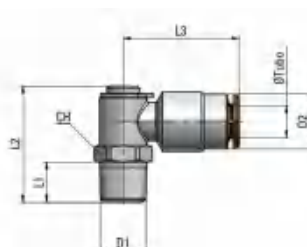
型号 Part number	管径 OD	D1	D2	L1	L2
HP140418	Ø4	R1/8	9.5	7.5	17
HP1404M6	Ø4	M6*1.0	9.5	8	17
HP1404M8	Ø4	M8*1.0	9.5	8	17
HP1404M10	Ø4	M10*1.0	9.5	8	18
HP140618	Ø6	R1/8	11.5	7.5	20
HP1406M6	Ø6	M6*1.0	11.5	8	20
HP1406M8	Ø6	M8*1.0	11.5	8	20
HP1406M10	Ø6	M10*1.0	11.5	8	21

MP15 - 直角快插 可旋转接头 Taper Elbow Fitting, Male, Rotatable 10Mpa



型号 Part number	管径 OD	D1	D2	L1	L2
MP150418	Ø4	R1/8"	9	7.5	20
MP1504M6	Ø4	M6*1.0	9	8	20.5
MP1504M8	Ø4	M8*1.0	9	8	20.5
MP1504M10	Ø4	M10*1.0	9	8	20.5
MP150618	Ø6	R1/8"	12	7.5	20
MP1506M6	Ø6	M6*1.0	12	8	21.5
MP1506M8	Ø6	M8*1.0	12	8	21.5
MP1506M10	Ø6	M10*1.0	12	8	21.5

HP18 - 直角快插 可旋转接头 Taper Elbow Fitting, Male, Rotatable 25Mpa



型号 Part number	管径 OD	D1	D2	L1	L2
HP180418	Ø4	R1/8"	9.5	8.5	22
HP1804M6-1	Ø4	M6*0.75	9.5	6	22
HP1804M6	Ø4	M6*1	9.5	8	22
HP1804M8	Ø4	M8*1	9.5	8	22
HP1804M10	Ø4	M10*1	9.5	8	22
HP180618	Ø6	R1/8"	11.5	8.5	24
HP180614	Ø6	R1/4"	11.5	11	24
HP1806M6	Ø6	M6*1	11.5	8	24
HP1806M8	Ø6	M8*1	11.5	8	24
HP1806M10	Ø6	M10*1	11.5	8	24

直涨芯 Hose coupling straight



型号 Part number	A	B	C	D	材质 Material
ZZ06	Ø6	60	30	M7*1	碳钢镀锌镍 Zinc-nickel plated
ZZ06-1(短 Short)	Ø6	54.5	21.5	M7*1	
ZZ0610	Ø6	63	30	M10*1	
ZZ08	Ø8	63	30	M10*1	

弯涨芯 Hose coupling bent



型号 Part number	A	B	C	D	材质 Material
WZ06	Ø6	32	45	M7*1	碳钢镀锌镍 Zinc-nickel plated
WZ0610	Ø6	32	45	M10*1	
WZ06-1(短 Short)	Ø6	20	45	M7*1	
WZ08	Ø8	35	50	M10*1	

135°弯涨芯 135°Hose coupling bent



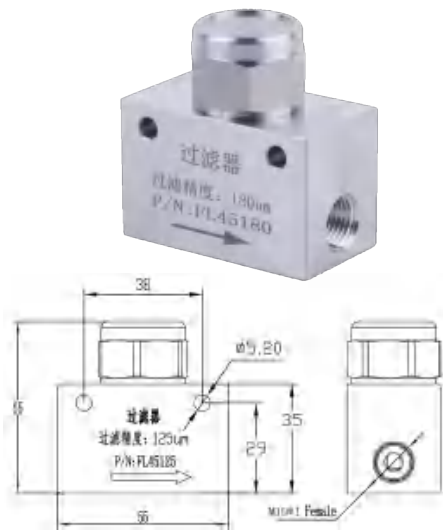
型号 Part number	接管 OD	B	C	D	材质 Material
WZ13506	Ø6	30	36	M7*1	碳钢镀锌镍 Zinc-nickel plated

涨套 Threaded sleeve



型号 Part number	接管 OD	A	B	C	材质 Material
WO06	Ø6	Ø11	28	M7*1	碳钢镀锌镍 Zinc-nickel plated
WO08	Ø8	Ø14	28	M10*1	

过滤器 Inset filter:



型号 Part number	精度 Rate	螺纹 Thread F	材质 Material
FL45180	180µm	M10*1	SS
FL45125	125µm	M10*1	SS
AL45180	180µm	M10*1	AL
AL45125	125µm	M10*1	AL

如需订购其它精度的过滤器, 请联系您的销售经理。

螺母 Ferrule

卡套 Nuts



型号 Part number	螺纹 Thread	管子外径D TUBE O.D.	压力等级 MPa	型号 Part number	管子外径D TUBE O.D.	压力等级 MPa
NLL-08	M8*1	Ø4	超轻系列 Super light series LL	RLL-04	Ø4	超轻系列 Super light series LL
NLL-10	M10*1	Ø6		RLL-06	Ø6	
NL-12	M12*1.5	Ø6	轻系列 Light series L	RL-06	Ø6	轻系列 Light series L
NL-14	M14*1.5	Ø8		RL-08	Ø8	
NL-16	M16*1.5	Ø10		RL-10	Ø10	
NL-18	M18*1.5	Ø12		RL-12	Ø12	

平端堵塞 Plane-end plug



型号 Part number	L	T	H
3G0408	12	M8*1.0	8
3G0601	14	PT1/8"	10

套管堵塞 Sleeve pipe plug



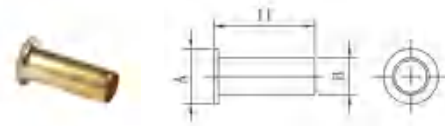
型号 Part number	L	T	H
3G04	16	M8*1.0	8
3G06	17	M10*1.0	10

直通接头组件 Straight Fitting assembly



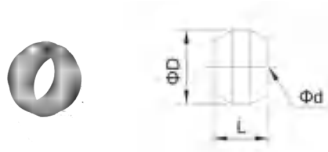
型号 Part number	OD	螺纹 Thread
3D0410T	Ø4	M10*1
3D0610T	Ø6	M10*1
3D0408T	Ø4	M8*1.0
3D0406T	Ø4	M6*1.0

管内衬 Inner screw of pipe



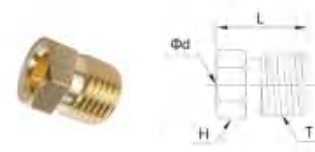
型号 Part number	A	B
BF04	4	2
BF0425	4	2.5
BF06	6	4
BF0630	6	3

套管 Sleeve pipe



型号 Part number	OD	Ød	ØD	L
3B04	4	4.1	6	4.5
3B06	6	6.1	8	5
3B08	8	8.1	11	7
3B10	10	10.1	13.5	8

套管帽 Sleeve pipe cap



型号 Part number	OD	Ød	L	H	T
3A04	4	4.1	12	8	M8*1.0
3A06	6	6.1	12.5	10	M10*1.0
3A08	8	8.1	14	14	M14*1.5
3A10	10	10.1	15	16	M16*1.5

润滑系统配件 Lubrication parts

高压树脂软管 (最高压力840BAR)
High-pressure flexible pipe



型号 Part number	管外径 Outer diameter	管内径 Inside diameter
T-HP03	Ø6	Ø3
T-HP04	Ø8.6	Ø4
T-HP06	Ø11	Ø6.3

尼龙管 (BP为黑色 WP为白色)
Nylon tubing (BP in black; WP in white)



型号 Part number	管外径 Outer diameter	管内径 Inside diameter
T-BP06	Ø6	Ø3
T-BP04	Ø4	Ø2.5
T-WP06	Ø6	Ø4
T-WP04	Ø4	Ø2

钢管 (镀白锌) Steel tubing



型号 Part number	管外径 Outer diameter	管内径 Inside diameter
T-CP04	Ø4	Ø2
T-CP06	Ø6	Ø4
T-CP08	Ø8	Ø6
T-CP10	Ø10	Ø8

弹簧护套 (镀白锌) Spring coil



型号 Part number	Ød	适合管外径 Suitable pipe outer diameter
THT04	4.5	4
THT06	6.5	6
THT08	11	9.3

平面螺旋胶管护套 Falt hose plastic jacket



型号 Part number	Ød	适合管外径 Suitable pipe outer diameter
THL08-1	8	6
THL10-1	10	8.6
THL12-1	12	11.2

扎带 Cable tie



型号 Part number	宽 Width	长 Length	材质 Material
ZDCH5200	5	200	尼龙 Nylon
ZDCH5300	5	300	
ZDCH5500	5	500	

R型管夹 R Pipe clamp



型号 Part number	Ød	安装孔 Mounting hole
RC06	6	6.4mm
RC08	8	6.4mm
RC10	10	6.4mm
RC12	12	6.4mm
RC14	14	6.4mm
RC16	16	6.4mm
RC18	18	6.4mm
RC20	20	6.4mm
RC22	22	6.4mm
RC25	25	6.4mm
RC28	28	6.4mm
RC30	30	6.4mm

部分专利证书 Portion patent certificate



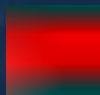


烟台西索润滑技术有限公司

Yantai CISO Lubrication Technology Co.,Ltd

山东省烟台市高新区纬三路30号

Tel:+086 400-800-9400



MADE IN CHINA



www.cisolube.com